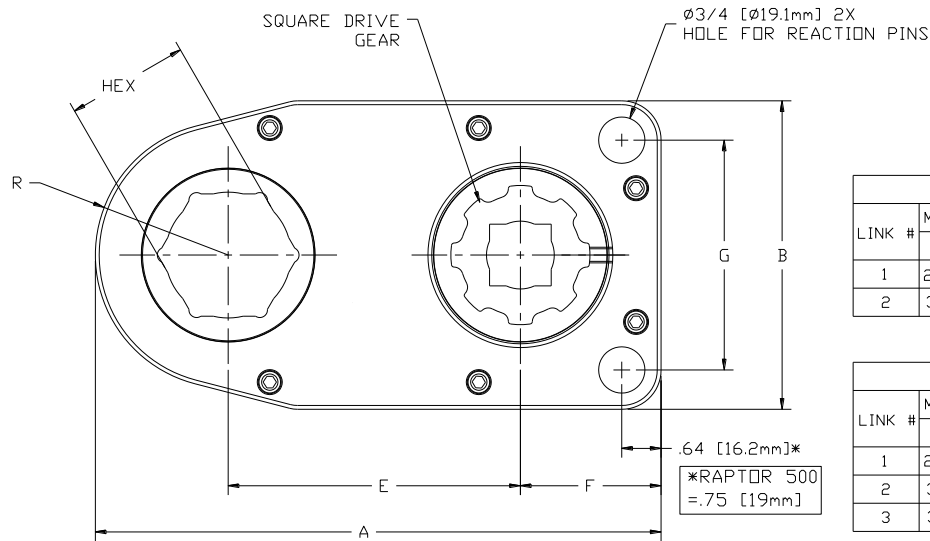


RAPTOR SERIES LOW CLEARANCE OFFSET LINK



- SPEED & TORQUE RATIO 1:1
- IDEAL FOR EXCESSIVE STUD PROTRUSION ON APPLICATIONS LIKE HEAT - EXCHANGERS
- MADE FROM AIRCRAFT QUALITY ALUMINIUM.
- DESIGNED TO REACT OFF OF BODY OR REACTION BLOCK
- CUSTOM REACTION BLOCKS AVAILABLE
- DESIGNED FOR TIGHTENING & LOOSENING

TECHNICAL SPECIFICATIONS



RAPTOR 500 / RAPTOR 1000										
LINK #	MAX. HEX SIZE		A	B	C	D	E	F	G	R
	[in.]	[mm]	[in.]	[in.]	[in.]	[in.]	[in.]	[in.]	[in.]	[in.]
1	2-3/16	55	9.18	5.00	1.25	1.06	4.74	2.28	3.72	2.16
2	3-1/8	80	11.76	5.56	1.25	1.06	6.20	2.78	4.29	2.78

RAPTOR 2000 / RAPTOR 3000										
LINK #	MAX. HEX SIZE		A	B	C	D	E	F	G	R
	[in.]	[mm]	[in.]	[in.]	[in.]	[in.]	[in.]	[in.]	[in.]	[in.]
1	2-3/16	55	9.18	5.00	1.67	1.11	4.74	2.28	3.72	2.16
2	3-1/8	80	11.76	5.56	1.67	1.11	6.20	2.78	4.29	2.78
3	3-3/4	95	12.99	6.31	1.67	1.11	6.68	3.16	5.04	3.16

RAPTOR 6000										
LINK #	MAX. HEX SIZE		A	B	C	D	E	F	G	R
	[in.]	[mm]	[in.]	[in.]	[in.]	[in.]	[in.]	[in.]	[in.]	[in.]
1	3-3/4	95	13.82	6.54	2.08	.92	7.31	3.24	5.04	3.27

