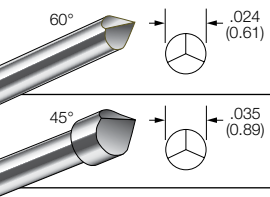


S-50C Rotator .050 Centers

BeCu PLUNGER TIPS



PROBE SPECIFICATIONS

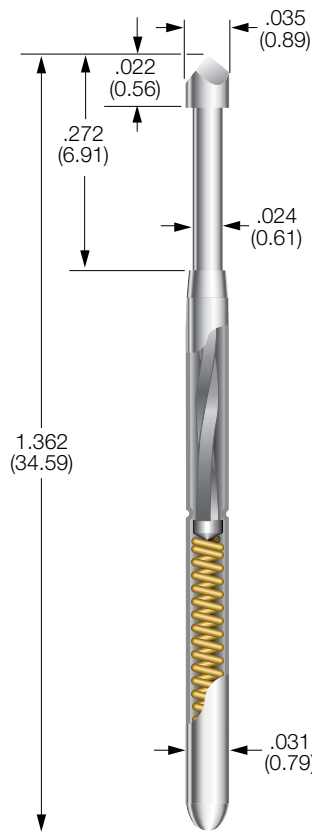
Minimum Centers: .050 (1.27)
 Current Rating: 3 amps continuous
 Spring Force: 3.7oz. @ .170 (4.32) travel
 Typical Resistance: < 25 mΩ
 Maximum Travel: .250 (6.35)
 Working Travel: .170 (4.32)
 Rotates: 85° @ .170 (4.32) travel

Rated Force oz. (g)	Preload oz. (g)
3.7 (105)	1.5 (42)

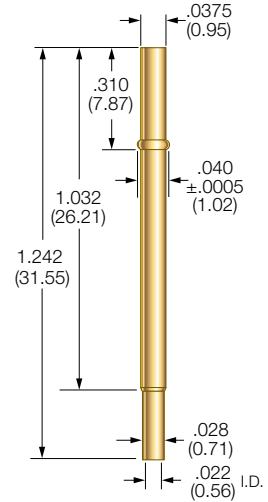
MATERIALS

Barrel: Nickel/silver, gold lined
 Spring: Music wire, gold plated
 Plunger: Beryllium copper, Duralloy™ plated
 Receptacle: Beryllium copper, preplated gold, gold plated post
 Plug-In Terminal: Beryllium copper, preplated gold

S-50C ROTATOR



R-50C Receptacle



Drill Size: #61
 Mounting Hole Size: .0385/.0390 (0.98/0.99)
 Recommended Wire: 28-30 gage

RECEPTACLE OPTIONS

Part Number	Style	Receptacle Length	Probe/Receptacle Combined Length	Comments
R-50C-CR	Crimp	1.242 (31.55)	1.572 (39.93)	—
R-50C-SC	Solder Cup	1.242 (31.55)	1.572 (39.93)	—
R-50C-WW-016	Wire Wrap	1.492 (37.88)	1.822 (46.28)	.250 post length - .016 sq.
R-50C-WW-025	Wire Wrap	1.542 (39.17)	1.872 (47.55)	.300 post length - .025 sq.
R-50C-DS	DuraSeal®	1.242 (31.55)	1.572 (39.93)	30 gage wire, vacuum sealed *
R-50C-WT	Plug-In Receptacle	1.242 (31.55)	1.572 (39.93)	For use with FP-Plug plug-in terminal
FP-Plug	Plug-In Terminal	—	—	Plugs into R-50C-WT receptacle *

* Unless otherwise specified, wire length 36", strip length 1", 30 gage Kynar

HOW TO ORDER: SPRING CONTACT PROBE

S	50C	TL	3.7	RT
SERIES	SIZE	TIP STYLE	SPRING FORCE	ROTATOR

CRIMPING PLIERS: CPR50C
 INSERTION TOOL: RTR50C

RECEPTACLE

R	50C	CR
SERIES	SIZE	TERMINATION

TERMINATIONS:

CR: CRIMP
 SC: SOLDER CUP
 WW-016: WIRE WRAP .016 SQ
 WW-025: WIRE WRAP .025 SQ

DS: DURASEAL*

WT: PLUG-IN RECEPTACLE **

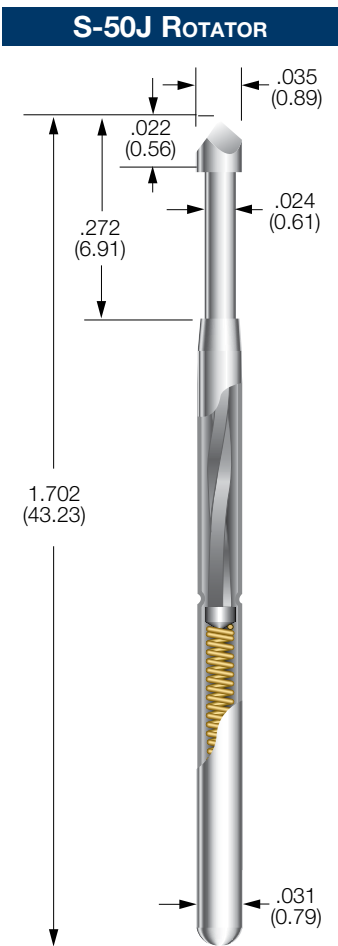
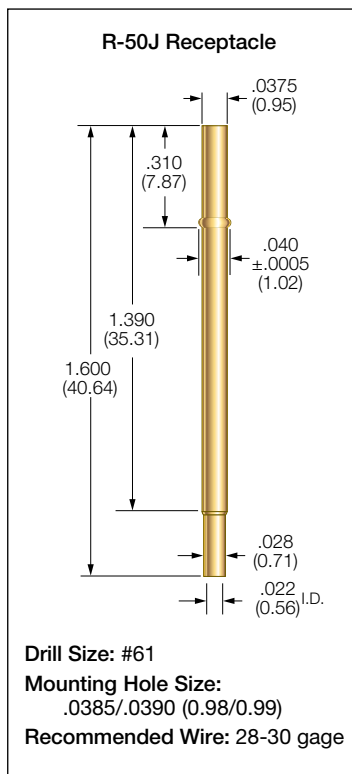
* UNLESS OTHERWISE SPECIFIED, WIRE LENGTH 36", STRIP LENGTH 1", 30 GAGE KYNAR. 12" & 36" STANDARD.

**FOR USE WITH FP-PLUG PLUG-IN TERMINAL. 12" & 36" STANDARD.

VIEW UPDATES OF THIS INFORMATION AT WWW.IDINET.COM

Specifications subject to change without notice. Dimensions in inches (millimeters)

.050 Centers S-50J Rotator



PROBE SPECIFICATIONS

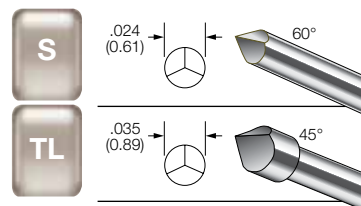
Minimum Centers: .050 (1.27)
 Current Rating: 3 amps continuous
 Spring Force: 3.6, 5.5, 7.0 or 10.0 oz. @ .170 (4.32) travel
 Typical Resistance: < 25 mΩ
 Maximum Travel: .250 (6.35)
 Working Travel: .170 (4.32)
 Rotates: 85° @ .170 (4.32) travel

Rated Force	Preload oz. (g)	Material oz. (g)
3.6	(102)	2.0 (57) SS
5.5	(156)	2.9 (82) MW
7.0	(198)	2.6 (74) MW
10.0	(284)	2.6 (74) MW

MATERIALS

Barrel: Nickel/silver, gold lined
 Spring: Stainless steel or music wire, gold plated
 Plunger: Beryllium copper, Duralloy™ plated
 Receptacle: Beryllium copper, preplated gold, gold plated post
 Plug-In Terminal: Beryllium copper, gold plated

BeCu PLUNGER TIPS



RECEPTACLE OPTIONS

Part Number	Style	Receptacle Length	Probe/Receptacle Combined Length	Comments
R-50J-CR	Crimp	1.600 (40.64)	1.912 (48.56)	—
R-50J-SC	Solder Cup	1.600 (40.64)	1.912 (48.56)	—
R-50J-WW-016	Wire Wrap	1.850 (46.99)	2.162 (54.91)	.250 post length - .016 sq.
R-50J-WW-025	Wire Wrap	1.900 (48.26)	2.212 (56.18)	.300 post length - .025 sq.
R-50J-DS	DuraSeal®	1.600 (40.64)	1.912 (48.56)	30 gage wire, vacuum sealed*
R-50J-WT	Plug-In Receptacle	1.600 (40.64)	1.912 (48.56)	For use with FP-Plug plug-in terminal
FP-Plug	Plug-In Terminal	—	—	Plugs into R-50J-WT receptacle*

* Unless otherwise specified, wire length 36", strip length 1", 30 gage Kynar

HOW TO ORDER: SPRING CONTACT PROBE

S	50J	TL	3.6	RT
SERIES	SIZE	TIP STYLE	SPRING FORCE	ROTATOR

SPRING FORCE:
 3.6 oz. @ .170 (4.32) TRAVEL
 5.5 oz. @ .170 (4.32) TRAVEL
 7.0 oz. @ .170 (4.32) TRAVEL
 10.0 oz. @ .170 (4.32) TRAVEL

CRIMPING PLIERS: CPR50J
 INSERTION TOOL: RTR50J

RECEPTACLE

R	50J	CR
SERIES	SIZE	TERMINATION

TERMINATIONS:
 CR: CRIMP
 SC: SOLDER CUP
 WW-016: WIRE WRAP .016 SQ
 WW-025: WIRE WRAP .025 SQ

DS: DURASEAL*
 WT: PLUG-IN RECEPTACLE**

* UNLESS OTHERWISE SPECIFIED, WIRE LENGTH 36", STRIP LENGTH 1", 30 GAGE KYNAR. 12" & 36" STANDARD.

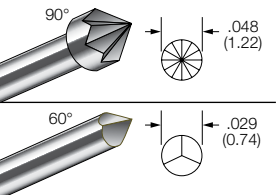
**FOR USE WITH FP-PLUG PLUG-IN TERMINAL. 12" & 36" STANDARD.

VIEW UPDATES OF THIS INFORMATION AT WWW.IDINET.COM

Specifications subject to change without notice. Dimensions in inches (millimeters)

S-075 ROTATOR .075 CENTERS

BeCu PLUNGER TIPS



PROBE SPECIFICATIONS

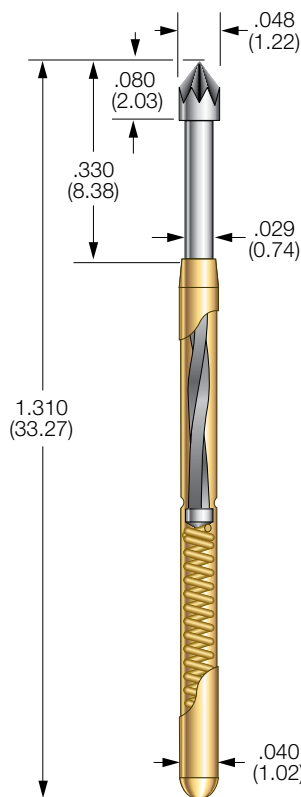
Minimum Centers: .075 (1.91)
Current Rating: 3 amps continuous
Spring Force: 3.8 or 6.6 oz. @ .170 (4.32) travel
Typical Resistance: < 25 mΩ
Maximum Travel: .225 (5.72)
Working Travel: .170 (4.32)
Rotates: 90° @ .170 (4.32) travel

Rated Force oz (g)	Preload oz (g)
3.8 (108)	0.5 (14)
6.6 (187)	1.6 (45)

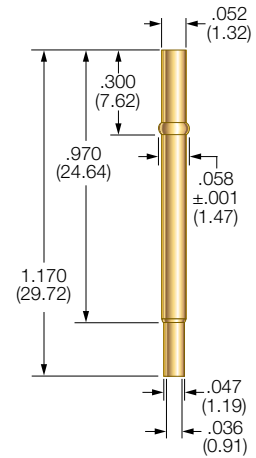
MATERIALS

Barrel: G2
Spring: Music wire, gold plated
Plunger: Beryllium copper, Duralloy™ plated
Receptacle: Nickel/silver, gold plated; gold plated post

S-075-ROTATOR



R-075 Receptacle



Drill Size: 1.45mm
Mounting Hole Size: .055/.057 (1.40/1.45)
Recommended Wire: 24-28 gage

RECEPTACLE OPTIONS

Part Number	Style	Receptacle Length	Probe/Receptacle Combined Length	Comments
R-075-CR	Crimp	1.170 (29.72)	1.500 (38.10)	—
R-075-SC	Solder Cup	1.170 (29.72)	1.500 (38.10)	—
R-075-RP	Round Post	1.545 (39.24)	1.875 (47.63)	.375 post length - .025 dia.
R-075-WW-429	Wire Wrap	1.599 (40.61)	1.929 (49.00)	.429 post length - .025 sq.
R-075-WW-694	Wire Wrap	1.864 (47.35)	2.194 (55.73)	.694 post length - .025 sq.
R-075-WW-1.044	Wire Wrap	2.214 (56.24)	2.544 (64.62)	1.044 post length - .025 sq.

HOW TO ORDER: SPRING CONTACT PROBE

S **075** **LM** **3.8** **RT**

SERIES SIZE TIP STYLE SPRING FORCE ROTATOR

SPRING FORCE:
 3.8 oz. @ .170 (4.32) TRAVEL
 6.6 oz @ .170 (4.32) TRAVEL

CRIMPING PLIERS: CPR075
 INSERTION TOOL: RTR075

RECEPTACLE

R **075** **WW** **429**

SERIES SIZE TERMINATION POST LENGTH

TERMINATIONS:
CR: CRIMP
SC: SOLDER CUP
RP: ROUND POST
WW: WIRE WRAP

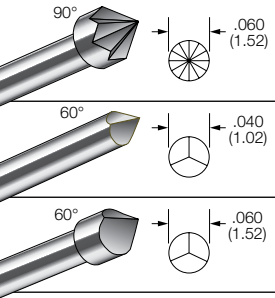
POST LENGTH:
WW: 429, 694 OR 1.044

VIEW UPDATES OF THIS INFORMATION AT WWW.IDINET.COM

Specifications subject to change without notice. Dimensions in inches (millimeters)

S-100 Rotator .100 CENTERS

BeCu PLUNGER TIPS



LM

S

T

PROBE SPECIFICATIONS

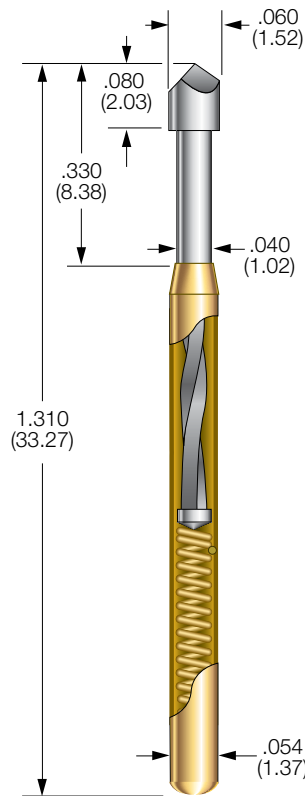
Minimum Centers: .100 (2.54)
Current Rating: 3 amps continuous
Spring Force: 4.0, 5.5, 6.7, 8.0 or 10.0 oz. @ .170 (4.32) travel
Typical Resistance: < 50 mΩ
Maximum Travel: .220 (5.59)
Working Travel: .170 (4.32)
Rotates: 90° @ .170 (4.32) travel

Rated Force oz (g)	Preload oz (g)	Material
4.0 (113)	1.5 (43)	SS
5.5 (156)	2.0 (57)	SS
6.7 (190)	1.5 (43)	SS
8.0 (227)	2.8 (80)	MW
10.0 (283)	1.8 (51)	MW

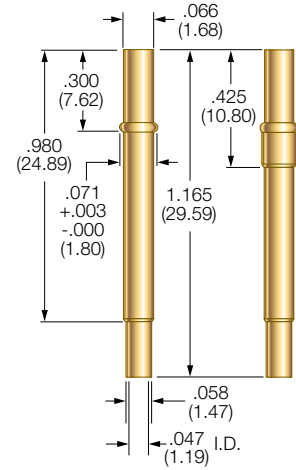
MATERIALS

Contact Barrel: G2
Spring: Music wire or stainless steel, gold plated
Plunger: Beryllium copper, Duralloy™ plated
Receptacle: Nickel/silver, gold plated; gold plated post

S-100 ROTATOR



R-100 Receptacle R Series RX Series



Drill Size: #50
Mounting Hole Size: .068/.070 (1.73/1.78)
Recommended Wire: 22-26 gage

RECEPTACLE OPTIONS

Part Number	Style	Receptacle Length	Probe/Receptacle Combined Length	Comments
R-100-CR	Crimp	1.165 (29.59)	1.495 (37.97)	—
R-100-SC	Solder Cup	1.165 (29.59)	1.495 (37.97)	—
R-100-RP	Round Post	1.540 (39.12)	1.870 (47.50)	.375 post length - .025 dia.
R-100-WW-429	Wire Wrap	1.594 (40.49)	1.924 (48.87)	.429 post length - .025 sq.
R-100-WW-694	Wire Wrap	1.859 (47.22)	2.189 (55.60)	.694 post length - .025 sq.
R-100-WW-1.044	Wire Wrap	2.209 (56.11)	2.539 (64.49)	1.044 post length - .025 sq.

HOW TO ORDER: SPRING CONTACT PROBE

S **100** **T** **4** **RT**
 SERIES SIZE TIP STYLE SPRING FORCE ROTATOR

SPRING FORCE:
 4.0 oz. @ .170 (4.32) TRAVEL
 5.5 oz. @ .170 (4.32) TRAVEL
 6.7 oz. @ .170 (4.32) TRAVEL
 8.0 oz. @ .170 (4.32) TRAVEL
 10.0 oz. @ .170 (4.32) TRAVEL

CRIMPING PLIERS: CPR100
 INSERTION TOOL: RTR100

RECEPTACLE

R **100** **WW** **429**
 SERIES SIZE TERMINATION POST LENGTH

SERIES:
R: HIGH PERFORMANCE
RX: IMPROVED POINTING ACCURACY

TERMINATIONS:
CR: CRIMP
SC: SOLDER CUP
RP: ROUND POST
WW: WIRE WRAP

POST LENGTH:
WW: 429, 694 or 1.044

VIEW UPDATES OF THIS INFORMATION AT WWW.IDINET.COM

Specifications subject to change without notice. Dimensions in inches (millimeters)