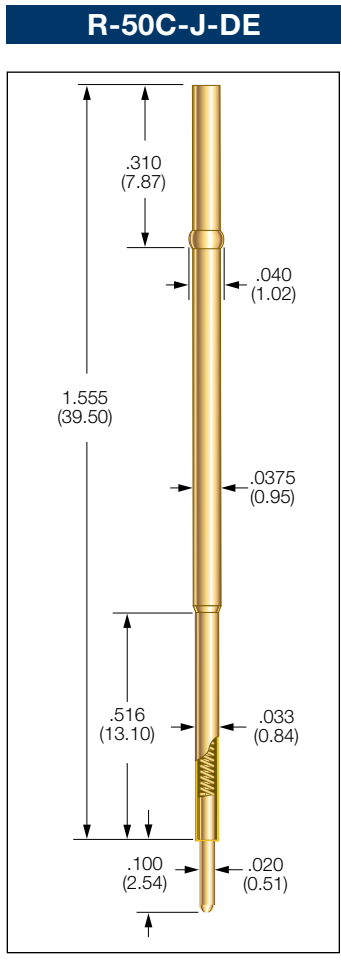
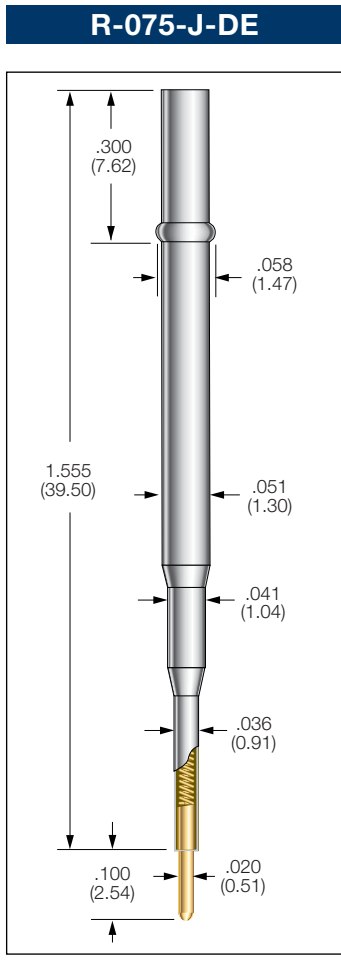
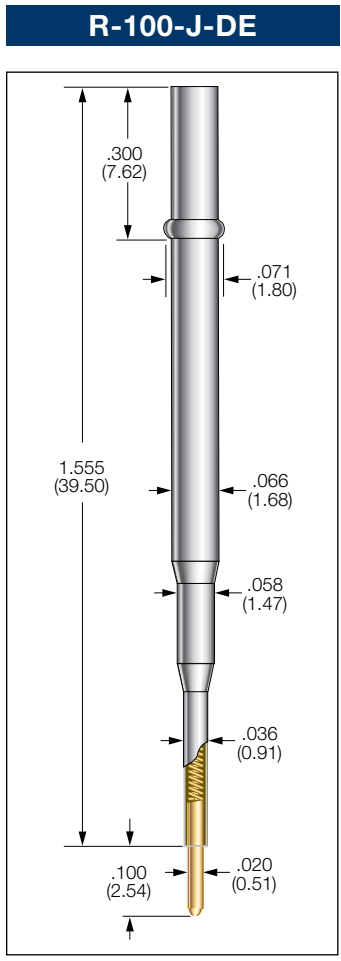
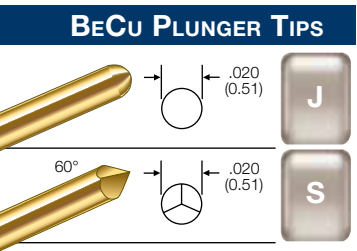


# Wireless Receptacles



**PROBE SPECIFICATIONS**

**Minimum Centers:** .100 (2.54)  
**Drill Size:** #50  
**Mounting Hole Size:** .068/.070 (1.73/1.78)  
**Spring Force:** 2.7 oz. (77g)  
 @ .070 (1.77) travel

**MATERIALS**

**Receptacle:** Nickel/silver, gold lined inside  
**Spring:** Music wire, gold plated  
**Plunger:** Beryllium copper, gold plated over nickel  
**R-100-DE:** Uses ICT-100, S-100 or ICT-L100 probe

**PROBE SPECIFICATIONS**

**Minimum Centers:** .075 (1.91)  
**Drill Size:** 1.45mm  
**Mounting Hole Size:** .055/.057 (1.40/1.45)  
**Spring Force:** 2.7 oz. (77g)  
 @ .070 (1.77) travel

**MATERIALS**

**Receptacle:** Nickel/silver, gold lined inside  
**Spring:** Music wire, gold plated  
**Plunger:** Beryllium copper, gold plated over nickel  
**R-075-DE:** Uses ICT-075, S-075 or ICT-L075 probe

**PROBE SPECIFICATIONS**

**Minimum Centers:** .050 (1.27)  
**Drill Size:** #61  
**Mounting Hole Size:** .0385/.0390 (0.98/0.99)  
**Spring Force:** 2.7 oz. (77g)  
 @ .070 (1.77) travel

**MATERIALS**

**Receptacle:** Beryllium copper, gold plated  
**Spring:** Music wire, gold plated  
**Plunger:** Beryllium copper, gold plated over nickel  
**R-50C-DE:** Uses ICT-50C or S-50C probe

**HOW TO ORDER:**

|          |            |           |             |
|----------|------------|-----------|-------------|
| <b>R</b> | <b>100</b> | <b>J</b>  | <b>DE</b>   |
| SERIES   | SIZE       | TIP STYLE | TERMINATION |

**HOW TO ORDER:**

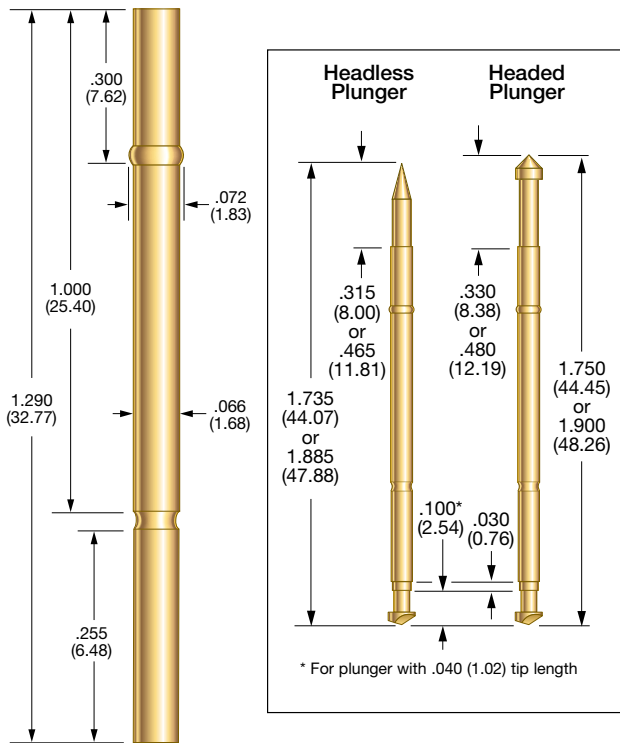
|          |            |           |             |
|----------|------------|-----------|-------------|
| <b>R</b> | <b>075</b> | <b>J</b>  | <b>DE</b>   |
| SERIES   | SIZE       | TIP STYLE | TERMINATION |

**HOW TO ORDER:**

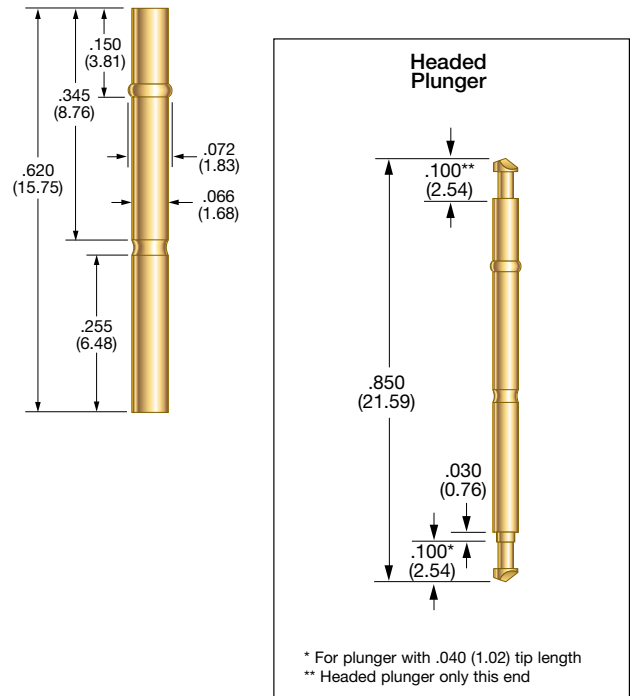
|          |            |           |             |
|----------|------------|-----------|-------------|
| <b>R</b> | <b>50C</b> | <b>J</b>  | <b>DE</b>   |
| SERIES   | SIZE       | TIP STYLE | TERMINATION |

Specifications subject to change without notice. Dimensions in inches (millimeters)

## R-100/SS



## R-SS/SS



### RECEPTACLE SPECIFICATIONS

Minimum Centers: .100 (2.54)  
 Drill Size: #50  
 Mounting Hole Size: .068/.070 (1.73/1.78)

### MATERIALS

High Performance Series: Nickel/silver, gold plated  
 Standard Series: Nickel/silver  
 This receptacle houses a S-100, ICT-100 or ICT-L100 probe on the top end and an SS100 or GSS100 probe on the bottom end.

### RECEPTACLE SPECIFICATIONS

Minimum Centers: .100 (2.54)  
 Drill Size: #50  
 Mounting Hole Size: .068/.070 (1.73/1.78)

### MATERIALS

High Performance Series: Nickel/silver, gold plated  
 Standard Series: Nickel/silver  
 This receptacle houses an SS100 or GSS100 probe on each end.

### HOW TO ORDER

R-100/SS High Performance Series  
 RS-100/SS Standard Series

### HOW TO ORDER

R-SS/SS High Performance Series  
 RS-SS/SS Standard Series

Specifications subject to change without notice. Dimensions in inches (millimeters)