

J900i

Flange Facer (152-900mm / 6"-35.5")

Features

Operational Benefits

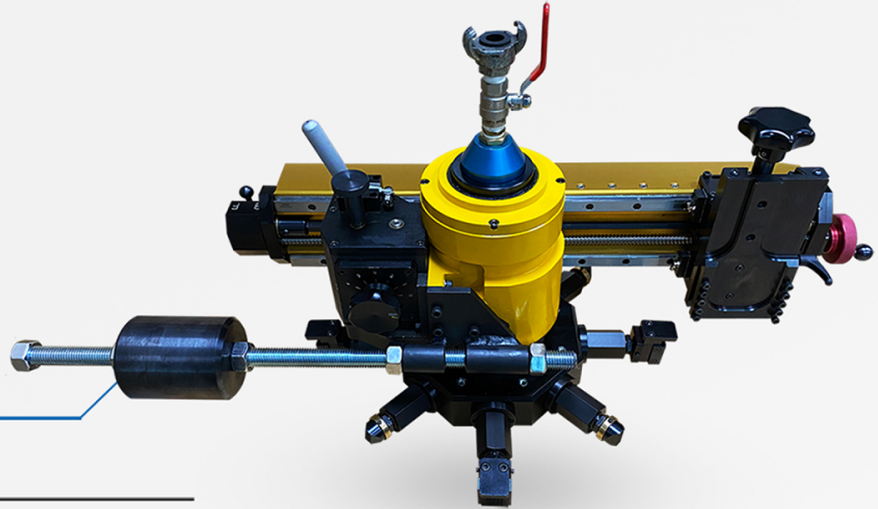
- ✓ Reliable and economical machine
- ✓ Easy to maintain
- ✓ Low machine vibration
- ✓ Quiet operation
- ✓ Capability: flange facing, weld prepping, grooving and counterboring

Designed for different industries



The J900i is an internally mounted flange facer with a range from 6" to 35.5". It is capable of flange facing, weld prepping, grooving and counter-boring. The machine is supplied with carriage arm, body, base plates, tools and inserts for setup and machining.

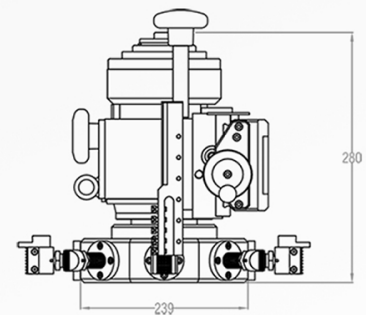
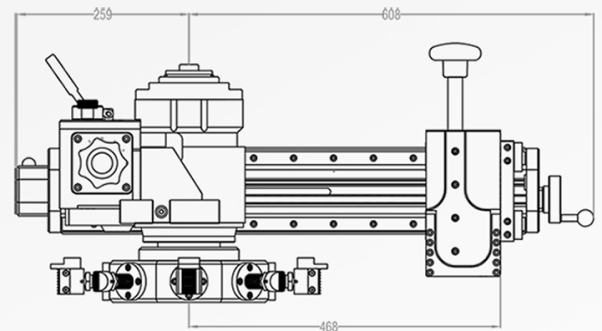
The machine and all accessories are supplied in storage boxes for easy transportation. Customized parts are available on request. Operating manual and packing list will be provided.



Technical Specifications

Dimension	Pneumatic @ 90psi (6bar)	2.0Hp (1.49kw)
	Air Consumption/ supply required	95 cfm (2.69m3/m) @90psi (6bar)
Range	RPM	33 approx. maximum
	Minimum facing diameter	152mm (6")
	Maximum facing diameter	900mm (35.5")
	Minimum clamping diameter	145mm (5.7")
	Maximum clamping diameter	813mm (32")
	Tool post travel (vertical)	100mm (4")
Feed Rates	Tool post swivel angle	360mm (power feed @ any angle)
	Facing feeds	0.10-0.81mm (fine course)
Weight	Boring feeds	0.03-0.25mm (fine course)
	Machine weight	120kg (264lb)
	Shipping weight	250kg (451lb)
Optional**	Shipping dimensions (L x W x H)	116cmx56cmx84cm (46"x22"x33")
	① "V" groove measuring trammels	④ Spare kit
	② 20° lens ring polishing kit	⑤ Hydraulic motor
	③ Tube sheet back facing kit	⑥ Hydraulic power pac

* Contact Petracarbon Engineering for possible facing range extension
** These are separate items



SCAN ME



Tel: +65 6271 0800
Fax: +65 6273 3121
enquiries@petracarbon.com
www.petracarbon.com



bizSAFE₃