

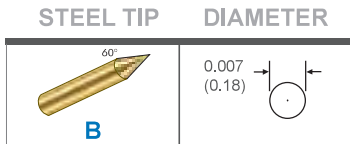
# TEST PROBES

## Dimensions & Specifications

### ▶ QUAD-00 SERIES

0.020 (0.51) Centers

For Quad-00 Series Receptacles see pg. 49



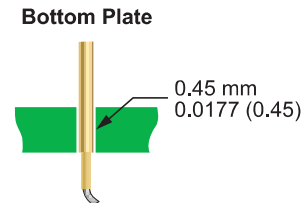
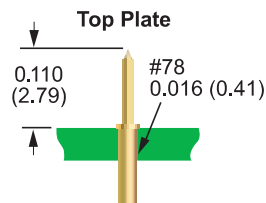
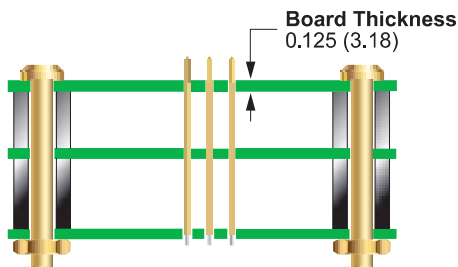
#### PROBE SPECIFICATIONS

Minimum Centers	0.020 (0.51)
Current Rating	0.30 A continuous
Spring Force	0.75 oz (21 g) @ 0.067 (1.70) travel
Preload Force	0.23 oz (6.5 g)
Typical Resistance	< 160 mΩ
Maximum Travel	0.100 (2.54)
Working Travel	0.067 (1.70)

#### MATERIALS

Barrel	Gold alloy
Spring	Music wire, gold plated
Plunger	Steel, gold plated over nickel

#### FIXTURING OPTIONS




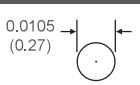

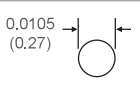
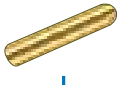
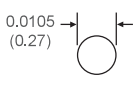
### HOW TO ORDER

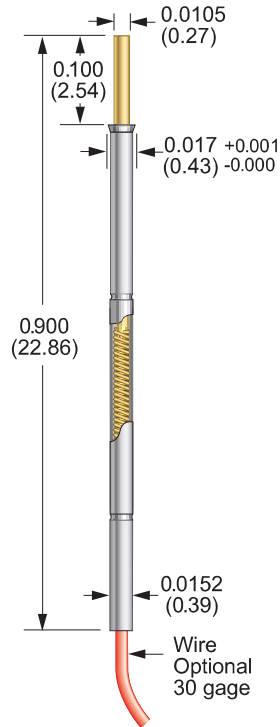
<b>QUAD - 00 B</b>	
1	2
<b>1</b> ▶ SERIES	<b>QUAD - 00</b>
<b>2</b> ▶ TIP STYLE	<b>B</b>

## ▶ QUAD-0 SERIES

0.020 (0.51) – 0.030 (0.76) Centers

For Quad-0 Series Receptacles see pg. 50

STEEL TIPS	DIAMETER
 <b>B</b>	0.0105 (0.27) 
 <b>C</b>	0.0105 (0.27) 
 <b>J</b>	0.0105 (0.27) 



### PROBE SPECIFICATIONS

<b>Minimum Centers</b>	0.020 (0.51) <i>(without receptacle)</i> 0.030 (0.76) <i>(with receptacle)</i>
<b>Current Rating</b>	0.50 A continuous
<b>Spring Force</b>	0.70 oz (20 g) @ 0.045 (1.14) travel
<b>Preload Force</b>	0.40 oz (11 g)
<b>Typical Resistance</b>	< 60 mΩ
<b>Maximum Travel</b>	0.100 (2.54)
<b>Working Travel</b>	0.045 (1.14)

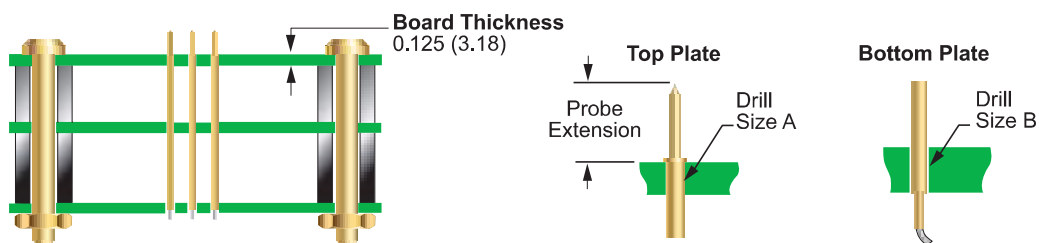
### MATERIALS

<b>Barrel</b>	Nickel/silver, gold lined
<b>Spring</b>	Stainless steel, gold plated
<b>Plunger</b>	Steel, gold plated over nickel

### FIXTURING

<b>Probe Extension</b>	Probe: 0.110 (2.79) Receptacle: 0.210 (5.33)
<b>Drill Size A</b>	Probe: #78 0.016 (0.41) Receptacle: #72 0.025 (0.64)
<b>Drill Size B</b>	Probe: 0.45 mm: 0.0177 (0.45) Receptacle: 0.70 mm: 0.0276 (0.70)

### FIXTURING OPTIONS



## HOW TO ORDER





QUAD - 0 C - 36 - 1	
	1      2      3
<b>1</b> ▶ SERIES	QUAD - 0
<b>2</b> ▶ TIP STYLE	B, C, J
<b>3</b> ▶ WIRE <sup>(1)</sup>	0 - 0 NO WIRE
	12 - 1 WIRE LENGTH 12 IN., 1 IN. STRIP LENGTH
	36 - 1 WIRE LENGTH 36 IN., 1 IN. STRIP LENGTH

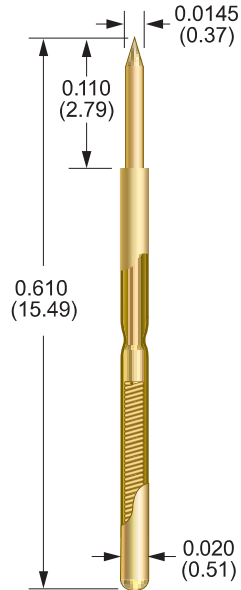
1. Unless otherwise specified, wire length 36", strip length 1", 30 gage magnet wire preattached, 12" and 36" standard  
2. Probes with wires are not intended for use with receptacles  
Dimensions are in inches (mm) | All specifications are subject to change

► **SS-30 SERIES**

0.039 (0.100) Centers

For RSS-30 Series Receptacles see pg. 51

BECU TIPS	DIAMETER
 <b>B</b>	0.0145 (0.37)
 <b>J</b>	0.0145 (0.37)
 <b>U</b>	0.0145 (0.37)
 <b>UT</b>	0.011 (0.28) 0.145 (0.37)



**PROBE SPECIFICATIONS**

<b>Minimum Centers</b>	0.039 (0.100)
<b>Current Rating</b>	3 A continuous
<b>Spring Force</b>	1.30 oz (37 g) or 1.60 oz (45 g) @ 0.067 (1.70) travel
<b>Preload Force</b>	0.50 oz (14 g)
<b>Typical Resistance</b>	< 40 mΩ
<b>Maximum Travel</b>	0.100 (2.54)
<b>Working Travel</b>	0.067 (1.70)

**MATERIALS**

<b>Barrel</b>	Nickel/silver, preplated gold
<b>Spring</b>	Stainless steel, or music wire, gold plated
<b>Plunger</b>	Beryllium copper, gold plated over nickel, or Duralloy™

**HOW TO ORDER**

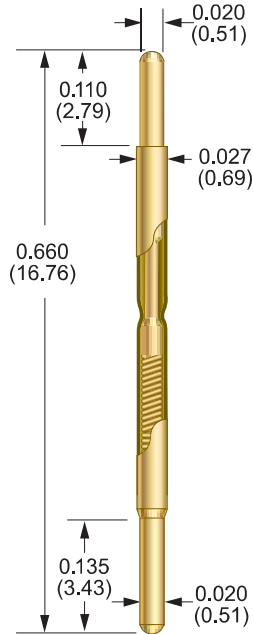
<b>SS - 30 - B - 1.3 - G</b> <small>1      2      3      4      5</small>	
<b>1</b> ► SERIES	<b>SS</b>
<b>2</b> ► SIZE	<b>30</b>
<b>3</b> ► TIP STYLE	<b>B, J, U, UT</b>
<b>4</b> ► SPRING FORCE	<b>1.3 oz.</b> <b>1.6 oz.</b>
<b>5</b> ► PLUNGER PLATING	<b>G</b> GOLD <b>D</b> DURALLOY™

## ► S-00 SERIES

0.039 (0.100) Centers

For R-00 Series Receptacles see pg. 52

BECU TIPS	DIAMETER
<b>B</b>	0.020 (0.51)
<b>C</b>	0.020 (0.51)
<b>G</b>	0.020 (0.51)
<b>J</b>	0.020 (0.51)
<b>U</b>	0.020 (0.51)



### PROBE SPECIFICATIONS

<b>Minimum Centers</b>	0.039 (1.00)
<b>Current Rating</b>	3 A continuous
<b>Spring Force</b>	1.30 oz (37 g) or 1.60 oz (45 g) @ 0.050 (1.27) travel
<b>Preload Force</b>	0.60 oz (17 g) (1.30 oz spring/BeCu) 0.70 oz (20 g) (1.60 oz spring/stainless steel)
<b>Typical Resistance</b>	< 55 mΩ
<b>Maximum Travel</b>	0.090 (2.29)
<b>Working Travel</b>	0.050 (1.27)

### MATERIALS

<b>Barrel</b>	Nickel/silver, preplated gold
<b>Spring</b>	Beryllium copper, or stainless steel, gold plated
<b>Plunger</b>	Beryllium copper, gold plated over nickel, or Duralloy™

## HOW TO ORDER

**S - 00 - J - 1.3 - G**


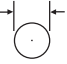

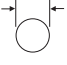
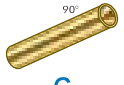
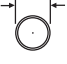
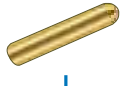
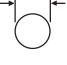
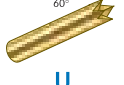

1 2 3 4 5

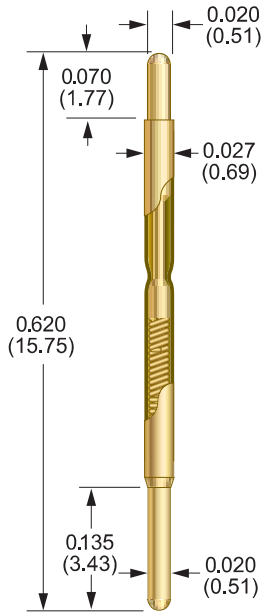
<b>1</b> ► SERIES	<b>S</b>
<b>2</b> ► SIZE	<b>00</b>
<b>3</b> ► TIP STYLE	<b>B, C, G, J, U</b>
<b>4</b> ► SPRING FORCE	<b>1.3</b> oz. <b>1.6</b> oz.
<b>5</b> ► PLUNGER PLATING	<b>G</b> GOLD <b>D</b> DURALLOY™

► **SS-40 SERIES**

0.039 (0.100) Centers

For R-00 Series Receptacles see pg. 52

BECU TIPS	DIAMETER
 <b>B</b>	0.020 (0.51) 
 <b>C</b>	0.020 (0.51) 
 <b>G</b>	0.020 (0.51) 
 <b>J</b>	0.020 (0.51) 
 <b>U</b>	0.020 (0.51) 



**PROBE SPECIFICATIONS**

<b>Minimum Centers</b>	0.039 (0.100)
<b>Current Rating</b>	3 A continuous
<b>Spring Force</b>	1.80 oz (51 g) or 2.40 oz (68 g) @ 0.050 (1.27) travel
<b>Preload Force</b>	1.10 oz (31 g) (1.80 oz spring/BeCu) 1.50 oz (43 g) (2.40 oz spring/stainless steel)
<b>Typical Resistance</b>	< 55 mΩ
<b>Maximum Travel</b>	0.050 (1.27)
<b>Working Travel</b>	0.050 (1.27)

**MATERIALS**

<b>Barrel</b>	Nickel/silver, preplated gold
<b>Spring</b>	Beryllium copper, or stainless steel, gold plated
<b>Plunger</b>	Beryllium copper, gold plated over nickel, or Duralloy™

**HOW TO ORDER**

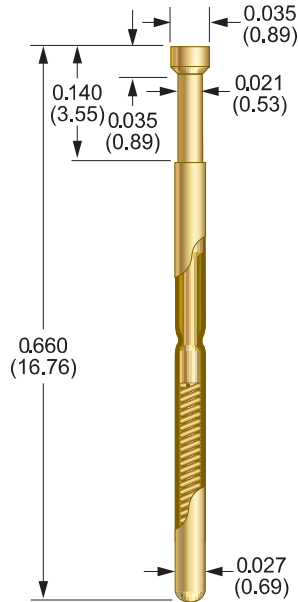
<b>SS - 40 - J - 1.8 - G</b> <small>1      2      3      4      5</small>	
<b>1</b> ► SERIES	<b>SS</b>
<b>2</b> ► SIZE	<b>40</b>
<b>3</b> ► TIP STYLE	<b>B, C, G, J, U</b>
<b>4</b> ► SPRING FORCE	<b>1.8</b> oz. <b>2.4</b> oz.
<b>5</b> ► PLUNGER PLATING	<b>G</b> GOLD <b>D</b> DURALLOY™

## ► S-0 SERIES

0.050 (1.27) Centers

For R-0 Series Receptacles see pg. 53

BECU TIPS	DIAMETER
<b>A</b>	0.035 (0.89)
<b>B</b>	0.021 (0.53)
<b>B9</b>	0.021 (0.53)
<b>D</b>	0.035 (0.89)
<b>E</b>	0.035 (0.89)
<b>ES</b>	0.046 (1.17)
<b>H</b>	0.035 (0.89)
<b>J</b>	0.021 (0.53)
<b>JS</b>	0.016 (0.41) 0.021 (0.53)
<b>T4</b>	0.035 (0.89)
<b>U</b>	0.021 (0.53)
<b>UT</b>	0.011 (0.28) 0.021 (0.53)
<b>V</b>	0.035 (0.89)



### PROBE SPECIFICATIONS

<b>Minimum Centers</b>	0.050 (1.27)
<b>Current Rating</b>	3 A continuous
<b>Spring Force</b>	2.20 oz (62 g), 2.50 oz (71 g), or 3.70 oz (105 g) @ 0.070 (1.78) travel
<b>Preload Force</b>	0.60 oz (17 g) (2.20 oz spring/BeCu) 0.60 oz (17 g) (2.50 oz spring/stainless steel) 1.90 oz (54 g) (3.70 oz spring/music wire)
<b>Typical Resistance</b>	< 35 mΩ
<b>Maximum Travel</b>	0.100 (2.54)
<b>Working Travel</b>	0.070 (1.78)

### MATERIALS

<b>Barrel</b>	Nickel/silver, gold plated
<b>Spring</b>	Beryllium copper, music wire, or stainless steel, gold plated
<b>Plunger</b>	Beryllium copper, gold plated over nickel, or Duralloy™

## HOW TO ORDER

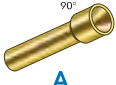
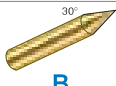
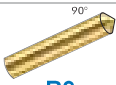







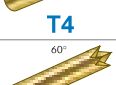


**S - 0 - A - 2.2 - G**  
1 2 3 4 5

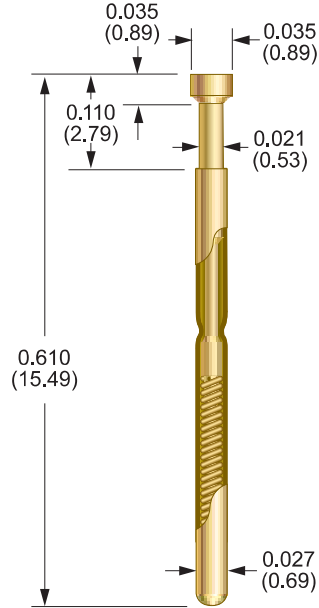
<b>1</b> ► SERIES	S SX
<b>2</b> ► SIZE	0
<b>3</b> ► TIP STYLE	A, B, B9, D, E, ES, H, J, JS, T4, U, UT, V
<b>4</b> ► SPRING FORCE	2.2 OZ. 2.5 OZ. 3.7 OZ.
<b>5</b> ► PLUNGER PLATING	G GOLD D DURALLOY™

► **SS-50 SERIES**

0.050 (1.27) Centers

For R-0 Series Receptacles see pg. 53

BECU TIPS	DIAMETER
 <b>A</b>	0.035 (0.89)
 <b>B</b>	0.021 (0.53)
 <b>B9</b>	0.021 (0.53)
 <b>D</b>	0.035 (0.89)
 <b>E</b>	0.035 (0.89)
 <b>ES</b>	0.046 (1.17)
 <b>H</b>	0.035 (0.89)
 <b>J</b>	0.021 (0.53)
 <b>JS</b>	0.016 (0.41) 0.021 (0.53)
 <b>T4</b>	0.035 (0.89)
 <b>U</b>	0.021 (0.53)
 <b>UT</b>	0.011 (0.28) 0.021 (0.53)
 <b>V</b>	0.035 (0.89)



**PROBE SPECIFICATIONS**

<b>Minimum Centers</b>	0.050 (1.27)
<b>Current Rating</b>	3 A continuous
<b>Spring Force</b>	2.90 oz (82 g), 3.30 oz (94 g), or 5.10 oz (145 g) @ 0.050 (1.27) travel
<b>Preload Force</b>	1.10 oz (31 g) (2.90 oz spring/BeCu) 1.70 oz (48 g) (3.30 oz spring/stainless steel) 1.50 oz (42 g) (5.10 oz spring/music wire)
<b>Typical Resistance</b>	< 35 mΩ
<b>Maximum Travel</b>	0.070 (1.78)
<b>Working Travel</b>	0.050 (1.27)

**MATERIALS**

<b>Barrel</b>	Nickel/silver, gold plated
<b>Spring</b>	Beryllium copper, stainless steel, or music wire, gold plated
<b>Plunger</b>	Beryllium copper, gold plated over nickel, or Duralloy™

**HOW TO ORDER**

	1	2	3	4	5
<b>SS - 50 - A - 2.9 - G</b>					
<b>1</b> ► SERIES	SS	SSX <sup>(1)</sup>			
<b>2</b> ► SIZE	50				
<b>3</b> ► TIP STYLE	A, B, B9, D, E, ES, H, J, JS, T4, U, UT, V				
<b>4</b> ► SPRING FORCE	2.9 oz.	3.3 oz.	5.1 oz.		
<b>5</b> ► PLUNGER PLATING	G GOLD	D DURALLOY™			

1. Improved pointing accuracy  
Dimensions are in inches (mm) | All specifications are subject to change

## ► ICT-50C & S-50C SERIES

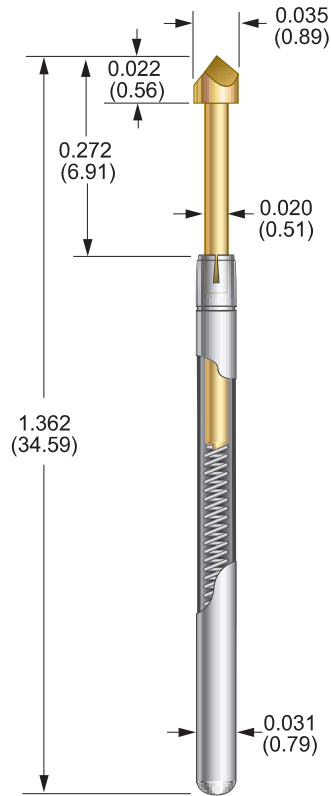
0.050 (1.27) Centers

For R-50C Series Receptacle see pg. 54

For R-50C-J-DE Wireless Series Receptacles see pg. 55

BECU TIPS	DIAMETER
<b>A</b>	0.035 (0.89)
<b>J</b>	0.020 (0.51)
<b>V8</b>	0.035 (0.89) 8 Pts.

STEEL TIPS	DIAMETER
<b>B</b>	0.020 (0.51)
<b>HS</b>	0.020 (0.51)
<b>M</b>	0.020 (0.51)
<b>SP</b>	0.020 (0.51)
<b>SW</b>	0.020 (0.51)
<b>T</b>	0.029 (0.74)
<b>TL</b>	0.035 (0.89)
<b>Z</b>	0.020 (0.51)



### PROBE SPECIFICATIONS

<b>Minimum Centers</b>	0.050 (1.27)
<b>Current Rating</b>	3 A continuous
<b>Spring Force</b>	4.30 oz (122 g) or 5.60 oz (159 g) @ 0.170 (4.32) travel
<b>Preload Force</b>	1.90 oz (54 g) (4.30 oz spring/stainless steel) 2.10 oz (60 g) (5.60 oz spring/music wire)
<b>Typical Resistance</b>	ICT-50C: < 20 mΩ S-50C: < 25 mΩ
<b>Maximum Travel</b>	0.250 (6.35)
<b>Working Travel</b>	0.170 (4.32)

### MATERIALS

<b>Barrel</b>	Nickel/silver, gold lined
<b>Spring</b>	Music wire, nickel plated, or stainless steel
<b>Plunger</b>	Beryllium copper, or steel, gold plated over nickel

## HOW TO ORDER

ICT - 50C - T - 5.6 - DG - S

1 2 3 4 5 6

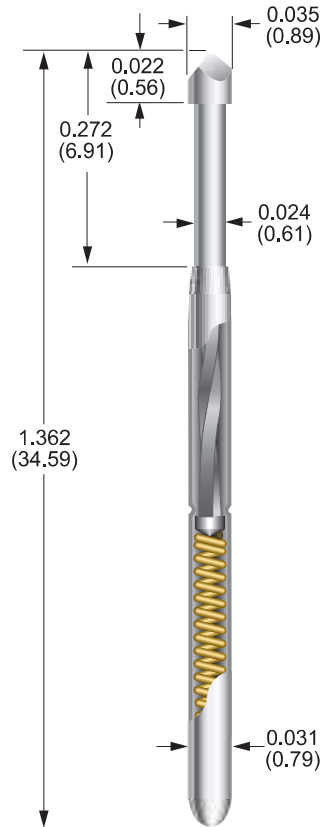
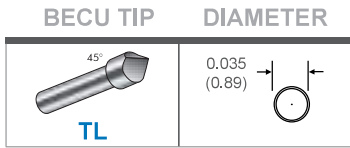
<b>1</b> ► SERIES	ICT <sup>(1)</sup> S
<b>2</b> ► SIZE	50C
<b>3</b> ► TIP STYLE	A, B, HS, J, M, SP, SW, T, TL, V8, Z
<b>4</b> ► SPRING FORCE	4.3 OZ. 5.6 OZ.
<b>5</b> ► PLUNGER PLATING	DG DURAGOLD™
<b>6</b> ► STEEL PLUNGER OPTION	S STEEL



► **S-50C ROTATOR SERIES**

0.050 (1.27) Centers

For R-50C Series Receptacles see pg. 54



**PROBE SPECIFICATIONS**

<b>Minimum Centers</b>	0.050 (1.27)
<b>Current Rating</b>	3 A continuous
<b>Spring Force</b>	3.70 oz (105 g) @ 0.170 (4.32) travel
<b>Preload Force</b>	1.50 oz (42 g)
<b>Typical Resistance</b>	< 25 mΩ
<b>Maximum Travel</b>	0.250 (6.35)
<b>Working Travel</b>	0.170 (4.32)
<b>Rotation</b>	85° @ 0.170 (4.32) travel

**MATERIALS**

<b>Barrel</b>	Nickel/silver, gold lined
<b>Spring</b>	Music wire, gold plated
<b>Plunger</b>	Beryllium copper, Duralloy™ plated

**HOW TO ORDER**

<b>S - 50C - TL - 3.7 - RT</b> <small>1      2      3      4      5</small>	
<b>1</b> ► SERIES	<b>S</b>
<b>2</b> ► SIZE	<b>50C</b>
<b>3</b> ► TIP STYLE	<b>TL</b>
<b>4</b> ► SPRING FORCE	<b>3.7 oz.</b>
<b>5</b> ► ROTATOR	<b>RT</b>

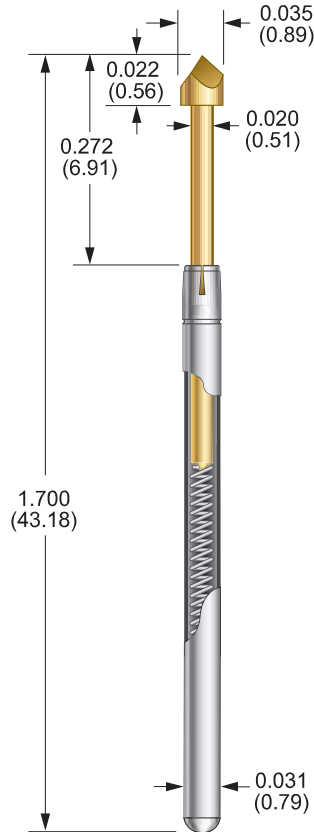
## ► ICT-50J SERIES

0.050 (1.27) Centers

For R-50J Series Receptacles see pg. 56

BECU TIPS	DIAMETER
<b>A</b>	0.035 (0.89)
<b>J</b>	0.020 (0.51)
<b>V8</b>	0.035 (0.89) 8 Pts.

STEEL TIPS	DIAMETER
<b>B</b>	0.020 (0.51)
<b>HS</b>	0.020 (0.51)
<b>M</b>	0.020 (0.51)
<b>S</b>	0.020 (0.51)
<b>SP</b>	0.020 (0.51)
<b>SW</b>	0.020 (0.51)
<b>T</b>	0.029 (0.74)
<b>TL</b>	0.035 (0.89)
<b>UR</b>	0.016 (0.41) 0.020 (0.51)
<b>Z</b>	0.020 (0.51)



### PROBE SPECIFICATIONS

<b>Minimum Centers</b>	0.050 (1.27)
<b>Current Rating</b>	3 A continuous
<b>Spring Force</b>	4.00 oz (113 g), 5.60 oz (159 g), 7.00 oz (198 g), or 10.00 oz (283 g) @ 0.170 (4.32) travel
<b>Preload Force</b>	1.80 oz (51 g) (4.00 oz spring/stainless steel) 2.50 oz (71 g) (5.60 oz spring/stainless steel) 3.10 oz (88 g) (7.00 oz spring/music wire) 4.60 oz (130 g) (10.00 oz spring/music wire)
<b>Typical Resistance</b>	< 20 mΩ
<b>Maximum Travel</b>	0.250 (6.35)
<b>Working Travel</b>	0.170 (4.32)

### MATERIALS

<b>Barrel</b>	Nickel/silver, gold lined
<b>Spring</b>	Music wire, nickel plated, or stainless steel
<b>Plunger</b>	Beryllium copper, or steel, gold plated over nickel

## HOW TO ORDER

**ICT - 50J - T - 5.6 - DG - S**

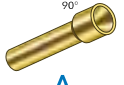
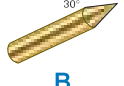
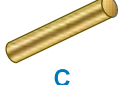







1      2      3      4      5      6

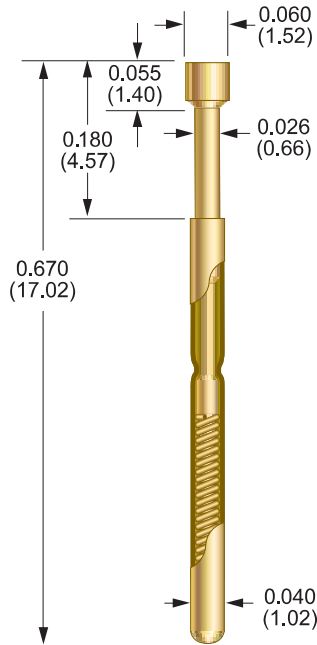
<b>1</b> ▶ SERIES	ICT <sup>(1)</sup>
<b>2</b> ▶ SIZE	50J
<b>3</b> ▶ TIP STYLE	A, B, HS, J, M, S, SP, SW, T, TL, UR, V8, Z
<b>4</b> ▶ SPRING FORCE	4 oz.      5.6 oz. 7 oz.      10 oz.
<b>5</b> ▶ PLUNGER PLATING	DG DURAGOLD™
<b>6</b> ▶ STEEL PLUNGER OPTION	S STEEL

► **S-1 SERIES**

0.075 (1.91) Centers

For R-1 Series Receptacles see pg. 57

BECU TIPS	DIAMETER
 <b>A</b>	0.060 (1.52)
 <b>B</b>	0.026 (0.66)
 <b>C</b>	0.026 (0.66)
 <b>D</b>	0.040 (1.02)
 <b>E</b>	0.060 (1.52)
 <b>F</b>	0.060 (1.52)
 <b>H</b>	0.060 (1.52)
 <b>J</b>	0.026 (0.66)
 <b>K</b>	0.060 (1.52)
 <b>U</b>	0.026 (0.66)



**PROBE SPECIFICATIONS**

<b>Minimum Centers</b>	0.075 (1.91)
<b>Current Rating</b>	3 A continuous
<b>Spring Force</b>	2.00 oz (57 g), 3.80 oz (108 g), or 6.60 oz (187 g) @ 0.070 (1.78) travel
<b>Preload Force</b>	0.80 oz (23 g) (2.00 oz spring/stainless steel) 1.50 oz (43 g) (3.80 oz spring/stainless steel) 2.00 oz (57 g) (6.60 oz spring/music wire)
<b>Typical Resistance</b>	< 25 mΩ
<b>Maximum Travel</b>	0.100 (2.54)
<b>Working Travel</b>	0.070 (1.78)

**MATERIALS**

<b>Barrel</b>	Nickel/silver, gold plated
<b>Spring</b>	Stainless steel, or music wire, gold plated
<b>Plunger</b>	Beryllium copper, gold plated over nickel, or Duralloy™

**HOW TO ORDER**

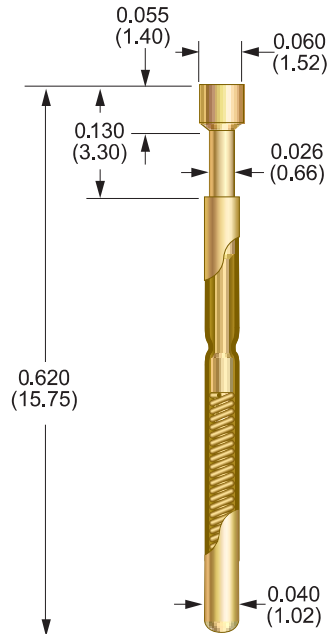
	<b>S - 1 - A - 3.8 - G</b>				
	1	2	3	4	5
<b>1</b> ► SERIES	<b>S</b>	<b>SX</b> <sup>(1)</sup>			
<b>2</b> ► SIZE	<b>1</b>				
<b>3</b> ► TIP STYLE	<b>A, B, C, D, E, F, H, J, K, U</b>				
<b>4</b> ► SPRING FORCE	<b>2</b> oz.	<b>3.8</b> oz.	<b>6.6</b> oz.		
<b>5</b> ► PLUNGER PLATING	<b>G</b> GOLD	<b>D</b> DURALLOY™			

## ► SS-75 SERIES

0.075 (1.91) Centers

For R-1 Series Receptacles see pg. 57

BECU TIPS	DIAMETER
<b>A</b>	0.060 (1.52)
<b>B</b>	0.026 (0.66)
<b>C</b>	0.026 (0.66)
<b>D</b>	0.040 (1.02)
<b>E</b>	0.060 (1.52)
<b>F</b>	0.060 (1.52)
<b>H</b>	0.060 (1.52)
<b>J</b>	0.026 (0.66)
<b>K</b>	0.060 (1.52)
<b>U</b>	0.026 (0.66)



### PROBE SPECIFICATIONS

<b>Minimum Centers</b>	0.075 (1.91)
<b>Current Rating</b>	3 A continuous
<b>Spring Force</b>	2.40 oz (68 g) or 4.90 oz (139 g) @ 0.050 (1.27) travel
<b>Preload Force</b>	1.70 oz (48 g) (2.40 oz spring/stainless steel) 3.10 oz (88 g) (4.90 oz spring/stainless steel)
<b>Typical Resistance</b>	< 25 mΩ
<b>Maximum Travel</b>	0.050 (1.27)
<b>Working Travel</b>	0.050 (1.27)

### MATERIALS

<b>Barrel</b>	Nickel/silver, gold plated
<b>Spring</b>	Stainless steel, gold plated
<b>Plunger</b>	Beryllium copper, gold plated over nickel or Duralloy™

## HOW TO ORDER

	1	2	3	4	5
<b>SS - 75 - A - 2.4 - G</b>					
<b>1</b> ► SERIES	SS		SSX <sup>(1)</sup>		
<b>2</b> ► SIZE		75			
<b>3</b> ► TIP STYLE	A, B, C, D, E, F, H, J, K, U				
<b>4</b> ► SPRING FORCE	2.4 oz.		4.9 oz.		
<b>5</b> ► PLUNGER PLATING	G GOLD		D DURALLOY™		

1. Improved pointing accuracy  
Dimensions are in inches (mm) | All specifications are subject to change