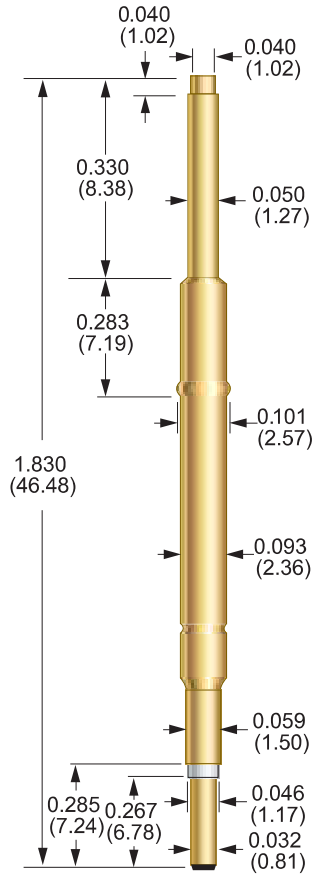
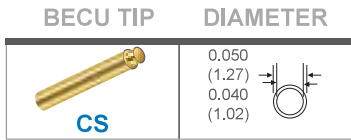


► **SIZE 3 SWITCH PROBE SERIES**

0.125 (3.18) Centers

Does not require a receptacle. The barrel of the switch probe is designed to mount directly in the mounting plate



PROBE SPECIFICATIONS

Minimum Centers	0.125 (3.18)
Current Rating	3 A continuous
Spring Force	4.00 oz (114 g) @ 0.197 (5.00) travel
Preload Force	1.40 oz (40 g)
Maximum Travel	0.295 (7.49)
Working Travel	0.197 (5.00)
Travel to Switch Point	0.025 (0.64)
Spring Force at Switch Point	1.80 oz. (51 g)

MATERIALS

Barrel	Nickel/silver, gold plated
Spring	Music wire
Plungers	Full-hard beryllium copper, gold plated
Insulator	Delrin
Contact	Beryllium copper, gold plated

MOUNTING

Drill Size	#41
Mounting Hole Size	0.094/0.096 (2.39/2.44)

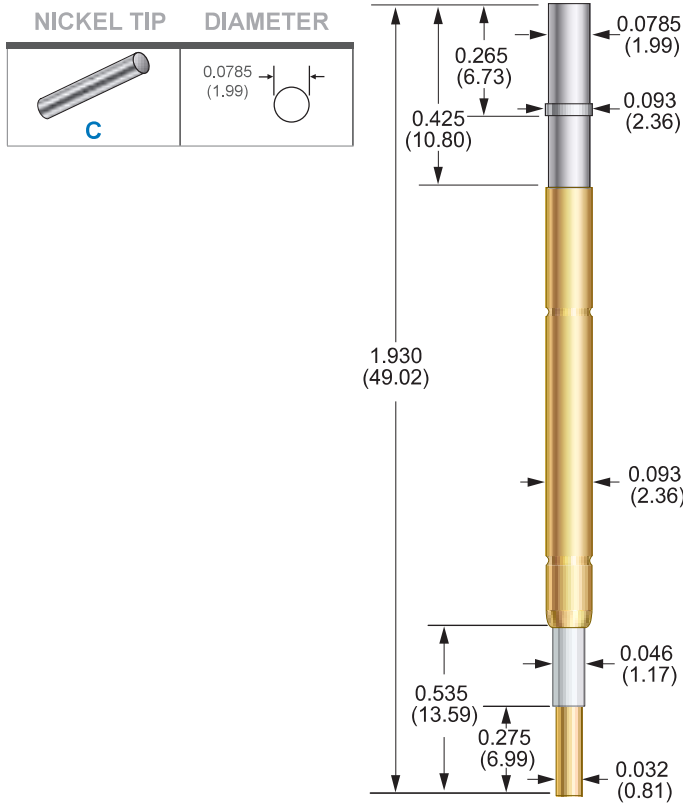
HOW TO ORDER

SW - 3 - CS - 1.8 - G <small>1 2 3 4 5</small>	
1 ► SERIES	SW
2 ► SIZE	3
3 ► TIP STYLE	CS
4 ► SPRING FORCE AT SWITCH	1.8 oz.
5 ► PLUNGER PLATING	G GOLD

► SIZE 4 SWITCH PROBE SERIES

0.156 (3.96) Centers

For R-4-CR Series Receptacles see pg. 73



PROBE SPECIFICATIONS

Minimum Centers	0.156 (3.96)
Current Rating	3 A continuous
Spring Force	4.80 oz (136 g) @ 0.120 (3.05) travel
Preload Force	2.50 oz (71 g)
Maximum Travel	0.160 (4.06)
Working Travel	0.120 (3.05)
Travel to Switch Point	0.107 (2.72)
Spring Force at Switch Point	4.40 oz. (125 g)

MATERIALS

Barrel	Nickel/silver, gold plated
Spring	Stainless steel
Plunger	Beryllium copper, nickel plated
Insulator	Delrin
Contact	Beryllium copper, gold plated

HOW TO ORDER

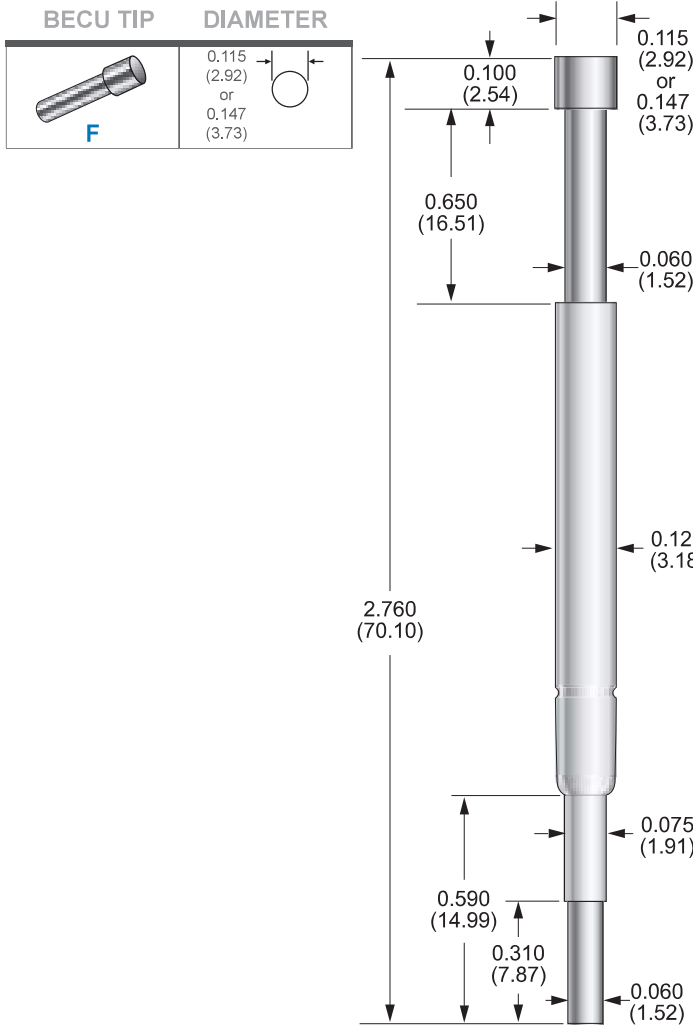
SW - 4 - C - 4.4 - EN	
1 2 3 4 5	
1 ► SERIES	SW
2 ► SIZE	4
3 ► TIP STYLE	C
4 ► SPRING FORCE AT SWITCH	4.4 oz.
5 ► PLUNGER PLATING	EN NICKEL

1. The size 3 switch probe shown does not require a receptacle. The barrel of the switch probe is designed to mount directly in the mounting plate.
 Dimensions are in inches (mm) | All specifications are subject to change

► **SIZE 5 SWITCH PROBE SERIES**

0.187 (4.75) Centers

For R-5-SW Series Receptacles see pg. 74



PROBE SPECIFICATIONS

Minimum Centers	0.187 (4.75)
Current Rating	3 A continuous
Spring Force	8.60 oz (244 g) or 20.40 oz (579 g) @ 0.137 (3.48) travel
Preload Force	1.80 oz (51 g) (8.60 oz spring/stainless steel) 5.20 oz (148 g) (20.40 oz spring/music wire)
Maximum Travel	0.190 (4.83)
Working Travel	0.137 (3.48)
Travel to Switch Point	0.030 (0.76)
Spring Force at Switch Point	4.00 oz. (113 g) (8.60 oz spring/stainless steel) or 10.30 oz. (293 g) (20.40 oz spring/music wire)

MATERIALS

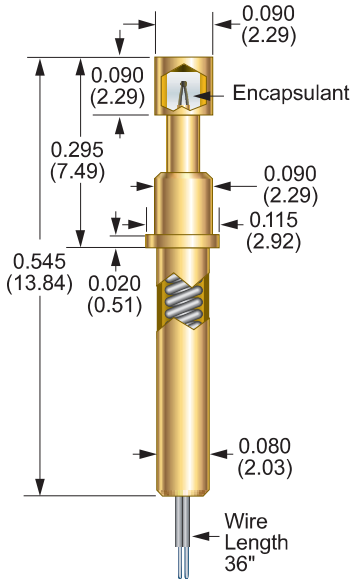
Barrel	Nickel/silver, silver plated
Spring	Music wire or stainless steel
Plunger	Beryllium copper, nickel plated
Insulator	Delrin
Contact	Beryllium copper, nickel plated

HOW TO ORDER

SW - 5 - F - 4 - EN - 115	
1 2 3 4 5 6	
1 ► SERIES	SW
2 ► SIZE	5
3 ► TIP STYLE	F
4 ► SPRING FORCE AT SWITCH	4 oz. 10.3 oz.
5 ► PLUNGER PLATING	EN NICKEL
6 ► HEAD DIAMETER	115 0.115 IN. 147 0.147 IN.

▶ 100895 THERMOCOUPLE SERIES

0.156 (3.96) Centers



PROBE SPECIFICATIONS

Minimum Centers	0.156 (3.96)
Spring Force	3.00 oz (85 g) @ 0.060 (1.52) travel
Maximum Travel	0.060 (1.52)
Working Travel	0.060 (1.52)
Temperature Range	Type T: up to 220°F Type K: up to 350°F

MATERIALS

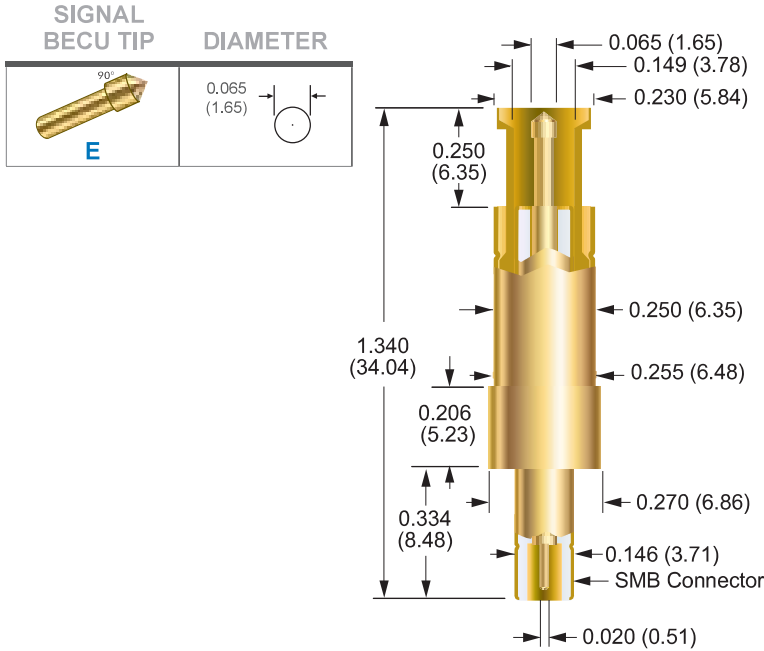
Barrel	Brass, gold plated
Spring	Stainless steel
Plunger	Brass, gold plated
Tip	Beryllium copper, gold plated
Encapsulant	Thermally conductive, electrically insulative epoxy
Wire	36 Gage Type T: Red & Blue Type K: Red & Yellow

HOW TO ORDER

100895 - 002	
	1 2
1 ▶ BASE PART NUMBER	100895
2 ▶ TYPE	000 TYPE K 002 TYPE T

► **100563 COAX SERIES**

0.300 (7.62) Centers | SMB Connector



PROBE SPECIFICATIONS

Minimum Centers	0.300 (7.62)
Current Rating	3 A continuous
Spring Force	Signal Conductor: 2.30 oz (65 g) @ 0.107 (2.72) travel Shielding Plunger: 5.80 oz (164 g) @ 0.107 (2.72) travel
Nominal Impedance	50 Ω
Maximum Travel	0.170 (4.32)
Working Travel	0.107 (2.72)

MATERIALS

Barrel Spring	Brass, gold plated Signal Conductor: Beryllium copper, gold plated Shielding Plunger: Stainless steel, gold plated
Shielding Plunger	Brass, gold plated
Dielectric Insulator	Teflon
Shielding Tube	Stainless steel, gold plated
Signal Conductor	100954

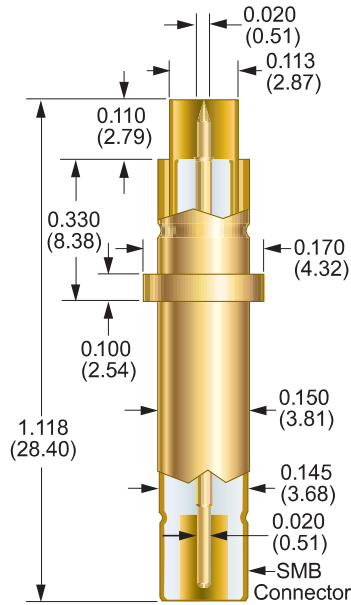
HOW TO ORDER

100563 - E	
1 2	
1 ► BASE PART NUMBER	100563
2 ► SIGNAL TIP STYLE	E

▶ 100559 & 100910 COAX SERIES

0.300 (7.62) Centers | SMB Connector

SIGNAL BECU TIPS		DIAMETER	
	B	0.020 (0.51)	
	ES	0.046 (1.17)	
SHIELDING BECU TIPS		DIAMETER	
	N	0.113 (2.87)	
	S	0.113 (2.87)	



PROBE SPECIFICATIONS

Minimum Centers	0.300 (7.62)
Current Rating	3 A continuous
Spring Force	Signal Conductor: 1.60 oz (45 g) @ 0.070 (1.78) travel (<i>tip B</i>) 2.00 oz (57 g) @ 0.070 (1.78) travel (<i>tip ES</i>) Shielding Plunger: 4.30 oz (122 g) @ 0.070 (1.78) travel
Nominal Impedance	50 Ω
Maximum Travel	0.090 (2.29) (<i>tip B</i>) 0.075 (1.91) (<i>tip ES</i>)
Working Travel	0.070 (1.78)

MATERIALS

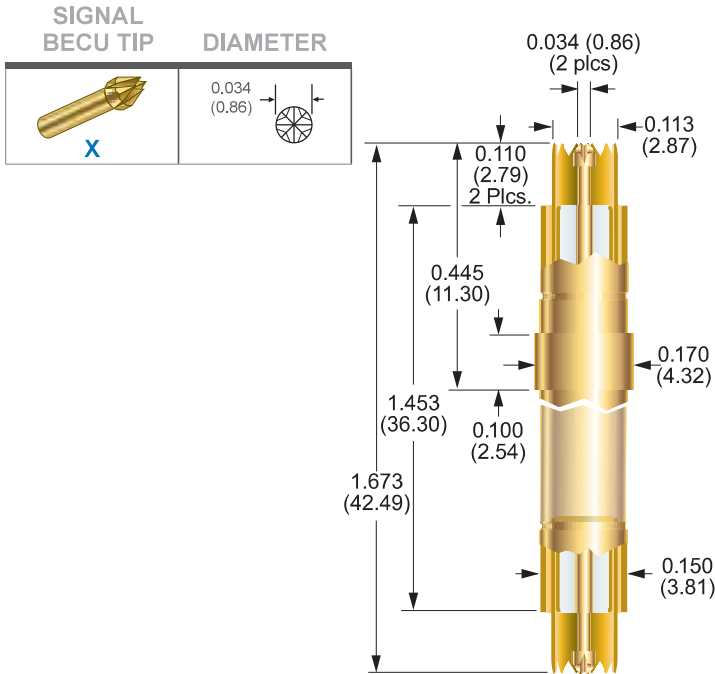
Barrel	Brass, gold plated
Spring	Signal Conductor: Beryllium copper, gold plated Shielding Plunger: Stainless steel, gold plated
Shielding Plunger	Beryllium copper, gold plated
Dielectric Insulator	Teflon
Shielding Tube	Brass, gold plated
Signal Conductor	Series S, Size 00

HOW TO ORDER

100559 - B - S		
1 2 3		
1 ▶ BASE PART NUMBER	100559 (<i>w/out flange</i>)	100910 (<i>w/ flange</i>)
2 ▶ SIGNAL TIP STYLE	B, ES	
3 ▶ SHIELDING PLUNGER	S SERRATED	N FLAT

► **101097 COAX SERIES**

0.200 (5.08) Centers | Double-Ended & Attached Cable



PROBE SPECIFICATIONS

Minimum Centers	0.200 (5.08)
Current Rating	3 A continuous
Spring Force	Signal Conductor: 1.60 oz (45 g) @ 0.037 (0.94) travel, each end Shielding Plunger: 3.40 oz (96 g) @ 0.037 (0.94) travel, each end
Nominal Impedance	50 Ω
Maximum Travel	0.075 (1.91) each end
Working Travel	0.037 (0.94) each end

MATERIALS

Barrel	Brass, gold plated
Spring	Stainless steel, gold plated
Shielding Plunger	Beryllium copper, gold plated
Dielectric Insulator	Teflon
Shielding Tube	Brass, gold plated
Signal Conductor	100617-000 probe

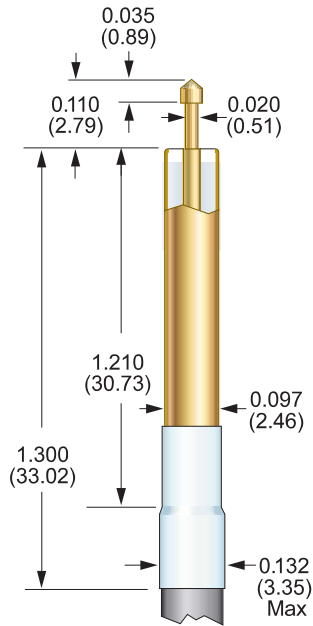
HOW TO ORDER

101097 - X - X	
1 2 3	
1 ► BASE PART NUMBER	101097
2 ► TOP SIGNAL TIP STYLE	X
3 ► BOTTOM SIGNAL TIP STYLE	X

► 100526 COAX SERIES

0.150 (3.18) Centers | Double-Ended & Attached Cable

SIGNAL BECU TIPS	DIAMETER
B	0.020 (0.51)
ES	0.046 (1.17)
H	0.035 (0.89)
J	0.020 (0.51)
U	0.020 (0.51)



PROBE SPECIFICATIONS

Minimum Centers	0.150 (3.18)
Current Rating	3 A continuous
Spring Force	Signal Conductor: 1.60 oz (45 g) @ 0.070 (1.78) travel (tips B, J, U) 2.00 oz (57 g) @ 0.070 (1.78) travel (tips ES, H)
Nominal Impedance	50 Ω
Maximum Travel	0.090 (2.29) (tips B, J, U) 0.075 (1.91) (tips ES, H)
Working Travel	0.070 (1.78)

MATERIALS

Spring	Beryllium copper, gold plated
Dielectric Insulator	Teflon
Shielding Tube	Brass, gold plated
Signal Conductor	Series S, Size 00 probe
Coaxial Cable	RG 316

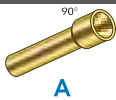
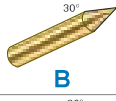


HOW TO ORDER



100526 - ES - 12 - AM	
	1 2 3 4
1 ► BASE PART NUMBER	100526
2 ► SIGNAL TIP STYLE	B, ES, H, J, U
3 ► CABLE LENGTH	12 IN. 36 IN.
4 ► TERMINATION	NC NO CONNECTOR AM SMA MALE AF SMA FEMALE

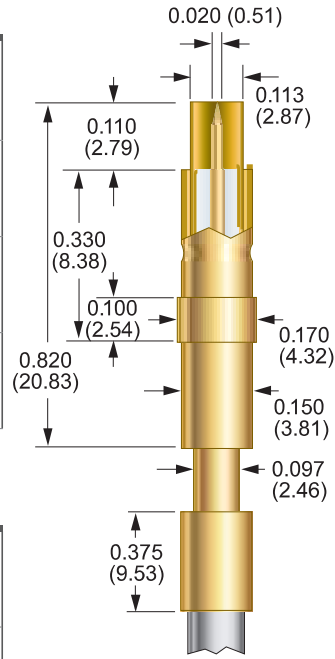
*When ordering with a preattached connector, please note that the connector will not fit through the probe mounting hole. The probe must be inserted from the bottom side of the mounting plate.
Dimensions are in inches (mm) | All specifications are subject to change

► **100445 & 100746 COAX SERIES**

0.200 (5.08) Centers | Attached Cable

SIGNAL PLUNGER BECU TIPS	DIAMETER
 A	0.035 (0.89)
 B	0.020 (0.51)
 ES	0.046 (1.17)
 H	0.035 (0.89)

SHIELDING PLUNGER BECU TIPS	DIAMETER
 N	0.113 (2.87)
 S	0.113 (2.87)



PROBE SPECIFICATIONS

Minimum Centers	0.200 (5.08)
Current Rating	3 A continuous
Spring Force	Signal Conductor: 1.60 oz (45 g) @ 0.070 (1.78) travel (<i>tip B</i>) 2.00 oz (57 g) @ 0.070 (1.78) travel (<i>tips A, ES, H</i>) Shielding Plunger: 4.30 oz (122 g) @ 0.070 (1.78) travel
Nominal Impedance	50 Ω
Maximum Travel	0.090 (2.29) (<i>tip B</i>) 0.075 (1.91) (<i>tips A, ES, H</i>)
Working Travel	0.070 (1.78)

MATERIALS

Barrel	Brass, gold plated
Spring	Signal Conductor: Beryllium copper, gold plated Shielding Plunger: Stainless steel, gold plated
Shielding Plunger	Beryllium copper, gold plated
Dielectric Insulator	Teflon
Shielding Tube	Stainless steel, gold plated
Signal Conductor	Series S, Size 00 probe
Crimp Ferrule	Brass, gold plated
Coaxial Cable	100445: RG 174U 100746: RG 316

HOW TO ORDER

100445 - B - N - F - 12 - AM	
	1 2 3 4 5 6
1 ► BASE PART NUMBER	100445 100746
2 ► SIGNAL TIP STYLES	A, B, ES, H
3 ► MOUNTING FLANGE	N WITHOUT FLANGE F WITH FLANGE
4 ► SHIELDING PLUNGER	S SERRATED N FLAT
5 ► CABLE LENGTH	12 IN. 36 IN.
6 ► TERMINATION	AM SMA MALE AF SMA FEMALE NC NO CONNECTOR

*When ordering with a preattached connector, please note that the connector will not fit through the probe mounting hole. The probe must be inserted from the bottom side of the mounting plate. Dimensions are in inches (mm) | All specifications are subject to change