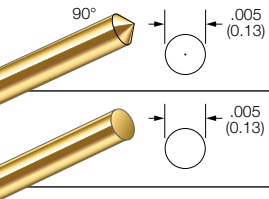


Penta 0 .010 - .015 Centers

STEEL PLUNGER TIPS



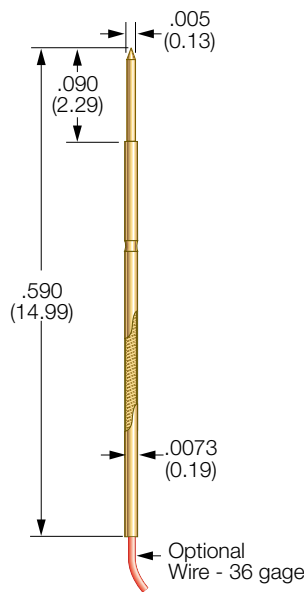
PROBE SPECIFICATIONS

Minimum Centers:
 Without receptacle: .010 (0.25)
 With receptacle: .015 (0.38)
Current Rating: 0.2 amps continuous
Spring Force: 0.7 oz. (20g) @ .033 (0.84) travel
Typical Resistance: < 250 mΩ
Maximum Travel: .050 (1.27)
Working Travel: .033 (0.84)

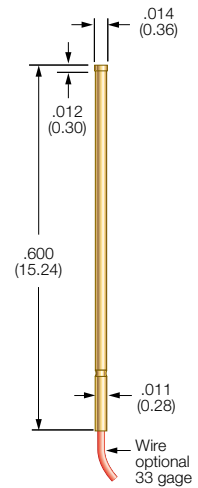
MATERIALS

Barrel: Gold alloy
Spring: Music wire, gold plated
Plunger: Steel, gold plated
Receptacle: Bronze, preplated gold

PENTA 0-PROBE



Penta-0 Receptacle



Drill Size: 0.32mm
Mounting Hole Size: .0125 to .0130 (0.32 to 0.33)
Recommended Wire: 33 gage

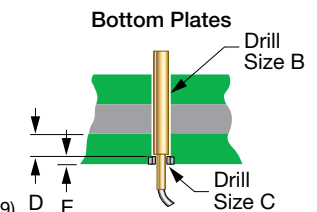
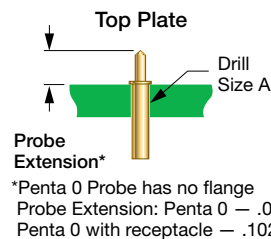
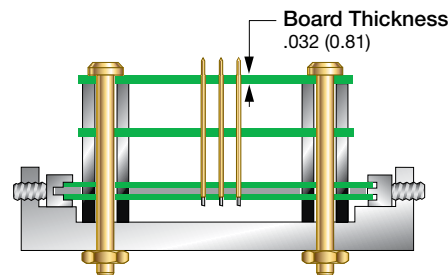
FIXTURING OPTIONS

Penta 0 Probe

Drill Size A - #91: .0083 (0.21)
Drill Size B - #91: .0083 (0.21)
Drill Size C - #95: .0067 (0.17)
Dimension D: .022 (0.56)
Dimension E: .010 (0.25)

Penta 0 Receptacle

Drill Size A - 0.32 mm: .0126 (0.32)
Drill Size B - 0.30 mm: .0118 (0.30)
Drill Size C: N/A
Dimensions D & E: N/A



RECEPTACLE OPTIONS

Part Number	Style	Receptacle Length	Probe/Receptacle Combined Length
Penta-0-Rec*	Preattached Wire	0.600 (15.24)	0.690 (17.53)

* Unless otherwise specified, wire length 36", strip length 1", 36 gage wire preattached

HOW TO ORDER: SPRING CONTACT PROBE

PENTA-0B	36	1
SERIES & TIP 0B: SPEAR POINT 0C: FLAT TIP	WIRE LENGTH (IN INCHES)	STRIP LENGTH (IN INCHES)

*To order without wire: PENTA-0B-0-0
 * Unless otherwise specified, wire length 36", strip length 1", 36 gage wire preattached. 12" & 36" standard.

RECEPTACLE

PENTA-0 REC	36	1
SERIES	WIRE LENGTH (IN INCHES)	STRIP LENGTH (IN INCHES)

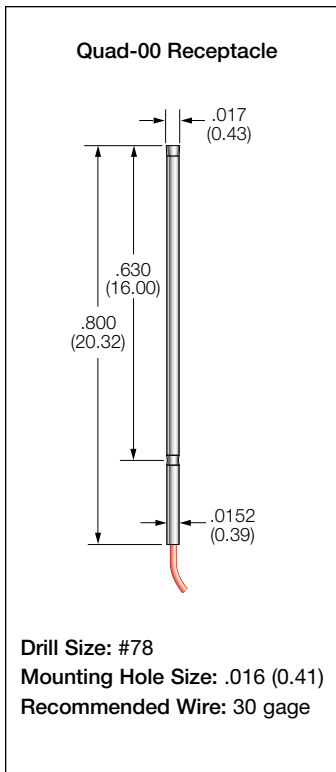
* Unless otherwise specified, wire length 36", strip length 1", 33 gage wire preattached. 12" & 36" standard.

VIEW UPDATES OF THIS INFORMATION AT WWW.IDINET.COM

Specifications subject to change without notice. Dimensions in inches (millimeters)

.020 Centers Quad 00

QUAD-00 PROBE



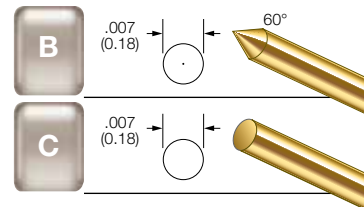
PROBE SPECIFICATIONS

Minimum Centers: .020 (0.51)
 Current Rating: 0.3 amps continuous
 Spring Force: 0.75 oz. (21g) @ .067 (1.70) travel
 Preload Force: 0.23 oz. (6.5g)
 Typical Resistance: < 160 mΩ
 Maximum Travel: .100 (2.54)
 Working Travel: .067 (1.70)

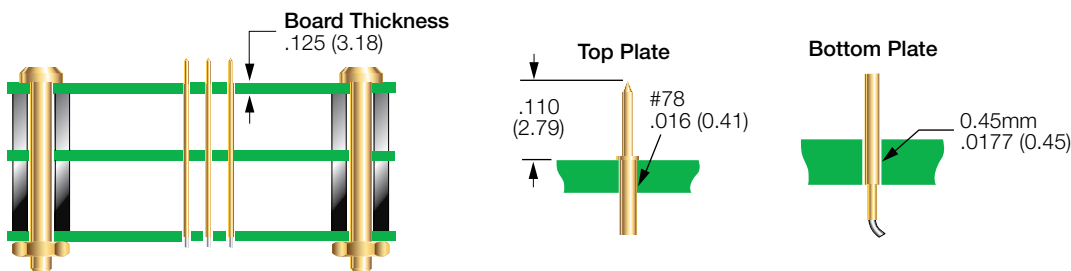
MATERIALS

Barrel: Gold alloy
 Spring: Music wire, gold plated
 Plunger: Steel, gold plated over nickel
 Receptacle: Nickel/silver, gold lined inside

STEEL PLUNGER TIPS



FIXTURING OPTIONS



RECEPTACLE OPTIONS

Part Number	Style	Receptacle Length	Probe/Receptacle Combined Length
Quad-00-Rec*	Preattached Wire	0.800 (20.32)	0.910 (23.11)

* Unless otherwise specified, wire length 36", strip length 1", 30 gage wire preattached

HOW TO ORDER: SPRING CONTACT PROBE

QUAD-00B

SERIES & TIP
 00B: SPEAR POINT
 00C: FLAT TIP

RECEPTACLE

QUAD-00REC

SERIES

36

WIRE LENGTH
(IN INCHES)

1

STRIP LENGTH
(IN INCHES)

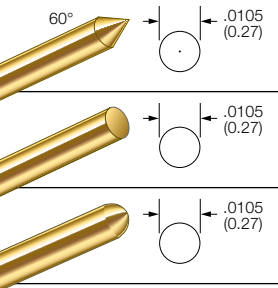
* UNLESS OTHERWISE SPECIFIED, WIRE LENGTH 36", STRIP LENGTH 1", 30 GAGE WIRE PREATTACHED. 12" & 36" STANDARD.

VIEW UPDATES OF THIS INFORMATION AT WWW.IDINET.COM

Specifications subject to change without notice. Dimensions in inches (millimeters)

Quad 0 .020 - .030 Centers

STEEL PLUNGER TIPS



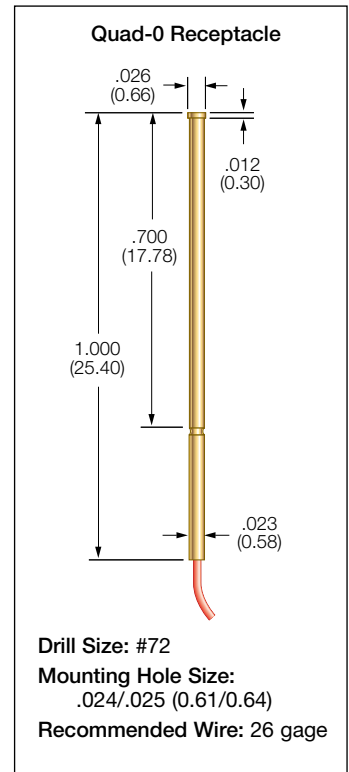
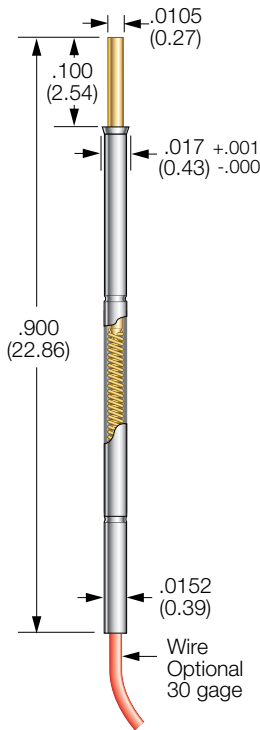
PROBE SPECIFICATIONS

Minimum Centers:
 Without Receptacle: .020 (0.51)
 With Receptacle: .030 (0.76)
Current Rating: 0.5 amps continuous
Spring Force: 0.7 oz. (20g) @ .045 (1.14) travel
Preload Force: 0.4 oz. (11g)
Typical Resistance: < 60 mΩ
Maximum Travel: .100 (2.54)
Working Travel: .045 (1.14)

MATERIALS

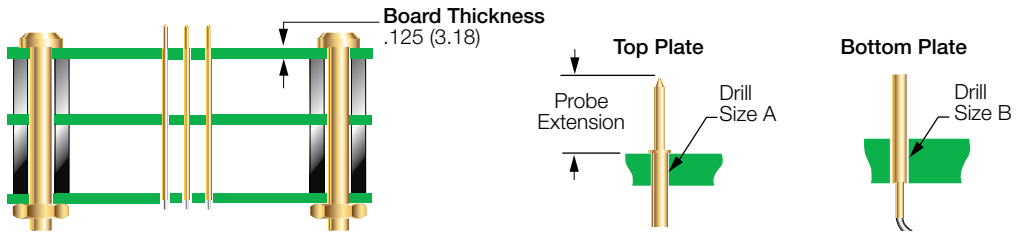
Barrel: Nickel/silver, gold lined
Spring: Stainless steel, gold plated
Plunger: Steel, gold plated over nickel
Receptacle: Nickel/silver, gold plated

QUAD-0 PROBE



FIXTURING OPTIONS

Quad 0 Probe	Quad 0 Receptacle
Probe Extension: .110 (2.79)	Probe Extension: .210 (5.33)
Drill Size A - #78: .016 (0.41)	Drill Size A - #72: .025 (0.64)
Drill Size B - 0.45mm: .0177 (0.45)	Drill Size B - 0.70 mm: .0276 (0.70)



RECEPTACLE OPTIONS

Part Number	Style	Receptacle Length	Probe/Receptacle Combined Length
Quad-0-Rec*	Preattached Wire	1.000 (25.40)	1.200 (30.48)

HOW TO ORDER: SPRING CONTACT PROBE

QUAD-0C SERIES & TIP
36 WIRE LENGTH (IN INCHES)
1 STRIP LENGTH (IN INCHES)

* UNLESS OTHERWISE SPECIFIED, WIRE LENGTH 36", STRIP LENGTH 1", 30 GAGE WIRE PREATTACHED. 12" & 36" STANDARD.

RECEPTACLE

QUAD-0 REC SERIES
36 WIRE LENGTH (IN INCHES)
1 STRIP LENGTH (IN INCHES)

* UNLESS OTHERWISE SPECIFIED, WIRE LENGTH 36", STRIP LENGTH 1", 26 GAGE WIRE PREATTACHED. 12" & 36" STANDARD.

VIEW UPDATES OF THIS INFORMATION AT WWW.IDINET.COM

Specifications subject to change without notice. Dimensions in inches (millimeters)