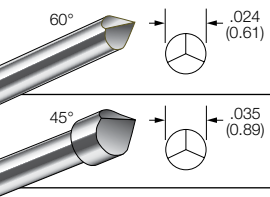


# S-50C Rotator .050 Centers

## BeCu PLUNGER TIPS



## PROBE SPECIFICATIONS

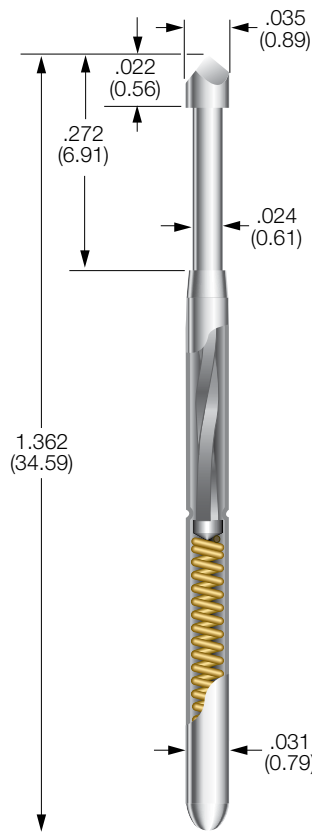
Minimum Centers: .050 (1.27)  
 Current Rating: 3 amps continuous  
 Spring Force: 3.7oz. @ .170 (4.32) travel  
 Typical Resistance: < 25 mΩ  
 Maximum Travel: .250 (6.35)  
 Working Travel: .170 (4.32)  
 Rotates: 85° @ .170 (4.32) travel

Rated Force oz. (g)	Preload oz. (g)
3.7 (105)	1.5 (42)

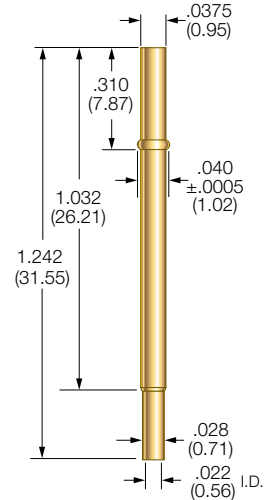
## MATERIALS

Barrel: Nickel/silver, gold lined  
 Spring: Music wire, gold plated  
 Plunger: Beryllium copper, Duralloy™ plated  
 Receptacle: Beryllium copper, preplated gold, gold plated post  
 Plug-In Terminal: Beryllium copper, preplated gold

## S-50C ROTATOR



## R-50C Receptacle



Drill Size: #61  
 Mounting Hole Size: .0385/.0390 (0.98/0.99)  
 Recommended Wire: 28-30 gage

## RECEPTACLE OPTIONS

Part Number	Style	Receptacle Length	Probe/Receptacle Combined Length	Comments
R-50C-CR	Crimp	1.242 (31.55)	1.572 (39.93)	—
R-50C-SC	Solder Cup	1.242 (31.55)	1.572 (39.93)	—
R-50C-WW-016	Wire Wrap	1.492 (37.88)	1.822 (46.28)	.250 post length - .016 sq.
R-50C-WW-025	Wire Wrap	1.542 (39.17)	1.872 (47.55)	.300 post length - .025 sq.
R-50C-DS	DuraSeal®	1.242 (31.55)	1.572 (39.93)	30 gage wire, vacuum sealed *
R-50C-WT	Plug-In Receptacle	1.242 (31.55)	1.572 (39.93)	For use with FP-Plug plug-in terminal
FP-Plug	Plug-In Terminal	—	—	Plugs into R-50C-WT receptacle *

\* Unless otherwise specified, wire length 36", strip length 1", 30 gage Kynar

## HOW TO ORDER: SPRING CONTACT PROBE

<b>S</b>	<b>50C</b>	<b>TL</b>	<b>3.7</b>	<b>RT</b>
SERIES	SIZE	TIP STYLE	SPRING FORCE	ROTATOR

CRIMPING PLIERS: CPR50C  
 INSERTION TOOL: RTR50C

## RECEPTACLE

<b>R</b>	<b>50C</b>	<b>CR</b>
SERIES	SIZE	TERMINATION

### TERMINATIONS:

CR: CRIMP  
 SC: SOLDER CUP  
 WW-016: WIRE WRAP .016 SQ  
 WW-025: WIRE WRAP .025 SQ

### DS: DURASEAL\*

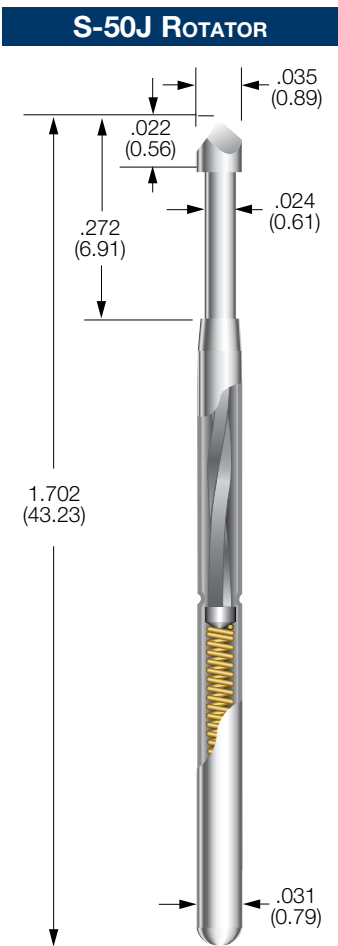
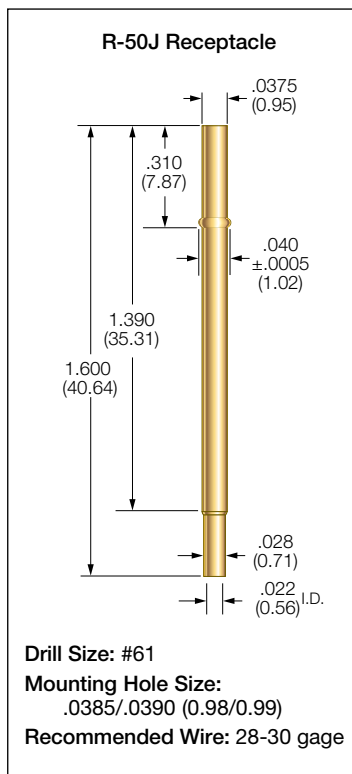
WT: PLUG-IN RECEPTACLE \*\*

\* UNLESS OTHERWISE SPECIFIED, WIRE LENGTH 36", STRIP LENGTH 1", 30 GAGE KYNAR. 12" & 36" STANDARD.

\*\*FOR USE WITH FP-PLUG PLUG-IN TERMINAL. 12" & 36" STANDARD.

VIEW UPDATES OF THIS INFORMATION AT [WWW.IDINET.COM](http://WWW.IDINET.COM)

# .050 Centers S-50J Rotator



## PROBE SPECIFICATIONS

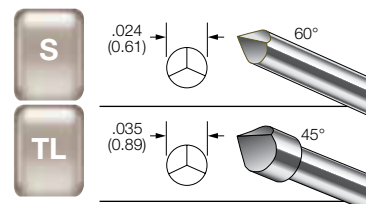
Minimum Centers: .050 (1.27)  
 Current Rating: 3 amps continuous  
 Spring Force: 3.6, 5.5, 7.0 or 10.0 oz. @ .170 (4.32) travel  
 Typical Resistance: < 25 mΩ  
 Maximum Travel: .250 (6.35)  
 Working Travel: .170 (4.32)  
 Rotates: 85° @ .170 (4.32) travel

Rated Force	Preload oz. (g)	Material oz. (g)
3.6	(102)	2.0 (57) SS
5.5	(156)	2.9 (82) MW
7.0	(198)	2.6 (74) MW
10.0	(284)	2.6 (74) MW

## MATERIALS

Barrel: Nickel/silver, gold lined  
 Spring: Stainless steel or music wire, gold plated  
 Plunger: Beryllium copper, Duralloy™ plated  
 Receptacle: Beryllium copper, preplated gold, gold plated post  
 Plug-In Terminal: Beryllium copper, gold plated

## BeCu PLUNGER TIPS



## RECEPTACLE OPTIONS

Part Number	Style	Receptacle Length	Probe/Receptacle Combined Length	Comments
R-50J-CR	Crimp	1.600 (40.64)	1.912 (48.56)	—
R-50J-SC	Solder Cup	1.600 (40.64)	1.912 (48.56)	—
R-50J-WW-016	Wire Wrap	1.850 (46.99)	2.162 (54.91)	.250 post length - .016 sq.
R-50J-WW-025	Wire Wrap	1.900 (48.26)	2.212 (56.18)	.300 post length - .025 sq.
R-50J-DS	DuraSeal®	1.600 (40.64)	1.912 (48.56)	30 gage wire, vacuum sealed*
R-50J-WT	Plug-In Receptacle	1.600 (40.64)	1.912 (48.56)	For use with FP-Plug plug-in terminal
FP-Plug	Plug-In Terminal	—	—	Plugs into R-50J-WT receptacle*

\* Unless otherwise specified, wire length 36", strip length 1", 30 gage Kynar

## HOW TO ORDER: SPRING CONTACT PROBE

<b>S</b>	<b>50J</b>	<b>TL</b>	<b>3.6</b>	<b>RT</b>
SERIES	SIZE	TIP STYLE	SPRING FORCE	ROTATOR

**SPRING FORCE:**  
 3.6 oz. @ .170 (4.32) TRAVEL  
 5.5 oz. @ .170 (4.32) TRAVEL  
 7.0 oz. @ .170 (4.32) TRAVEL  
 10.0 oz. @ .170 (4.32) TRAVEL

**CRIMPING PLIERS:** CPR50J  
**INSERTION TOOL:** RTR50J

## RECEPTACLE

<b>R</b>	<b>50J</b>	<b>CR</b>
SERIES	SIZE	TERMINATION

**TERMINATIONS:**  
**CR:** CRIMP  
**SC:** SOLDER CUP  
**WW-016:** WIRE WRAP .016 SQ  
**WW-025:** WIRE WRAP .025 SQ

**DS:** DURASEAL\*  
**WT:** PLUG-IN RECEPTACLE\*\*

\* UNLESS OTHERWISE SPECIFIED, WIRE LENGTH 36", STRIP LENGTH 1", 30 GAGE KYNAR. 12" & 36" STANDARD.

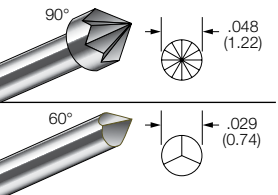
\*\*FOR USE WITH FP-PLUG PLUG-IN TERMINAL. 12" & 36" STANDARD.

VIEW UPDATES OF THIS INFORMATION AT [WWW.IDINET.COM](http://WWW.IDINET.COM)

Specifications subject to change without notice. Dimensions in inches (millimeters)

# S-075 ROTATOR .075 CENTERS

## BeCu PLUNGER TIPS



## PROBE SPECIFICATIONS

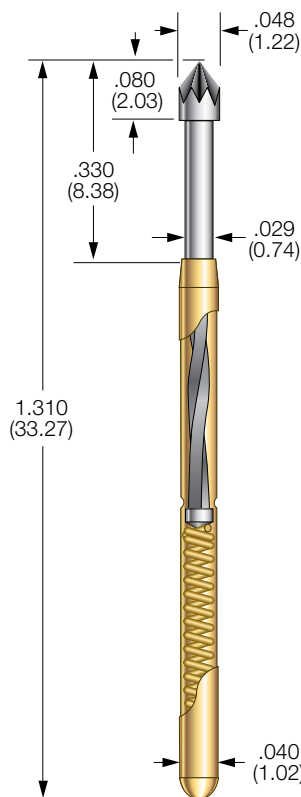
**Minimum Centers:** .075 (1.91)  
**Current Rating:** 3 amps continuous  
**Spring Force:** 3.8 or 6.6 oz. @ .170 (4.32) travel  
**Typical Resistance:** < 25 mΩ  
**Maximum Travel:** .225 (5.72)  
**Working Travel:** .170 (4.32)  
**Rotates:** 90° @ .170 (4.32) travel

Rated Force oz (g)	Preload oz (g)
3.8 (108)	0.5 (14)
6.6 (187)	1.6 (45)

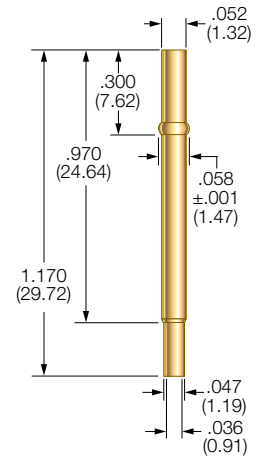
## MATERIALS

**Barrel:** G2  
**Spring:** Music wire, gold plated  
**Plunger:** Beryllium copper, Duralloy™ plated  
**Receptacle:** Nickel/silver, gold plated; gold plated post

## S-075-ROTATOR



## R-075 Receptacle



**Drill Size:** 1.45mm

**Mounting Hole Size:**  
.055/.057 (1.40/1.45)

**Recommended Wire:** 24-28 gage

## RECEPTACLE OPTIONS

Part Number	Style	Receptacle Length	Probe/Receptacle Combined Length	Comments
R-075-CR	Crimp	1.170 (29.72)	1.500 (38.10)	—
R-075-SC	Solder Cup	1.170 (29.72)	1.500 (38.10)	—
R-075-RP	Round Post	1.545 (39.24)	1.875 (47.63)	.375 post length - .025 dia.
R-075-WW-429	Wire Wrap	1.599 (40.61)	1.929 (49.00)	.429 post length - .025 sq.
R-075-WW-694	Wire Wrap	1.864 (47.35)	2.194 (55.73)	.694 post length - .025 sq.
R-075-WW-1.044	Wire Wrap	2.214 (56.24)	2.544 (64.62)	1.044 post length - .025 sq.

## HOW TO ORDER: SPRING CONTACT PROBE

**S** **075** **LM** **3.8** **RT**

SERIES SIZE TIP STYLE SPRING FORCE ROTATOR

**SPRING FORCE:**  
3.8 oz. @ .170 (4.32) TRAVEL  
6.6 oz @ .170 (4.32) TRAVEL

**CRIMPING PLIERS:** CPR075  
**INSERTION TOOL:** RTR075

## RECEPTACLE

**R** **075** **WW** **429**

SERIES SIZE TERMINATION POST LENGTH

**TERMINATIONS:**  
**CR:** CRIMP  
**SC:** SOLDER CUP  
**RP:** ROUND POST  
**WW:** WIRE WRAP

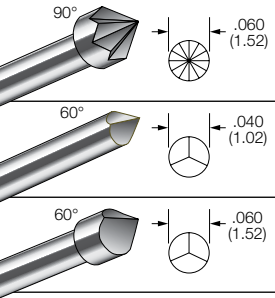
**POST LENGTH:**  
**WW:** 429, 694 OR 1.044

VIEW UPDATES OF THIS INFORMATION AT [WWW.IDINET.COM](http://WWW.IDINET.COM)

Specifications subject to change without notice. Dimensions in inches (millimeters)

# S-100 Rotator .100 CENTERS

## BeCu PLUNGER TIPS



LM

S

T

## PROBE SPECIFICATIONS

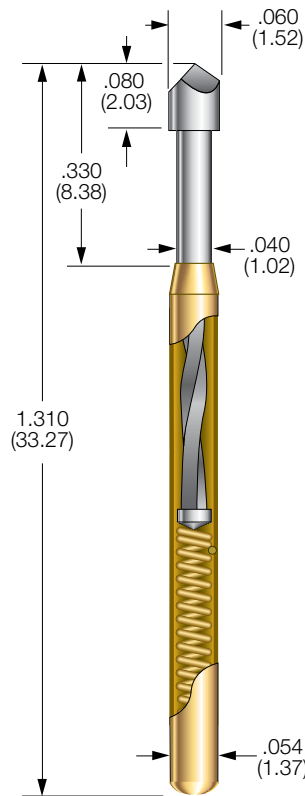
**Minimum Centers:** .100 (2.54)  
**Current Rating:** 3 amps continuous  
**Spring Force:** 4.0, 5.5, 6.7, 8.0 or 10.0 oz. @ .170 (4.32) travel  
**Typical Resistance:** < 50 mΩ  
**Maximum Travel:** .220 (5.59)  
**Working Travel:** .170 (4.32)  
**Rotates:** 90° @ .170 (4.32) travel

Rated Force oz (g)	Preload oz (g)	Material
4.0 (113)	1.5 (43)	SS
5.5 (156)	2.0 (57)	SS
6.7 (190)	1.5 (43)	SS
8.0 (227)	2.8 (80)	MW
10.0 (283)	1.8 (51)	MW

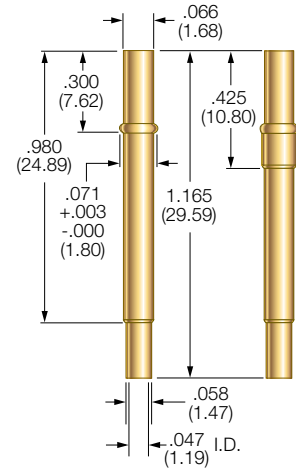
## MATERIALS

**Contact Barrel:** G2  
**Spring:** Music wire or stainless steel, gold plated  
**Plunger:** Beryllium copper, Duralloy™ plated  
**Receptacle:** Nickel/silver, gold plated; gold plated post

## S-100 ROTATOR



## R-100 Receptacle R Series RX Series



**Drill Size:** #50  
**Mounting Hole Size:** .068/.070 (1.73/1.78)  
**Recommended Wire:** 22-26 gage

## RECEPTACLE OPTIONS

Part Number	Style	Receptacle Length	Probe/Receptacle Combined Length	Comments
R-100-CR	Crimp	1.165 (29.59)	1.495 (37.97)	—
R-100-SC	Solder Cup	1.165 (29.59)	1.495 (37.97)	—
R-100-RP	Round Post	1.540 (39.12)	1.870 (47.50)	.375 post length - .025 dia.
R-100-WW-429	Wire Wrap	1.594 (40.49)	1.924 (48.87)	.429 post length - .025 sq.
R-100-WW-694	Wire Wrap	1.859 (47.22)	2.189 (55.60)	.694 post length - .025 sq.
R-100-WW-1.044	Wire Wrap	2.209 (56.11)	2.539 (64.49)	1.044 post length - .025 sq.

## HOW TO ORDER: SPRING CONTACT PROBE

**S** **100** **T** **4** **RT**  
 SERIES SIZE TIP STYLE SPRING FORCE ROTATOR

**SPRING FORCE:**  
 4.0 oz. @ .170 (4.32) TRAVEL  
 5.5 oz. @ .170 (4.32) TRAVEL  
 6.7 oz. @ .170 (4.32) TRAVEL  
 8.0 oz. @ .170 (4.32) TRAVEL  
 10.0 oz. @ .170 (4.32) TRAVEL

CRIMPING PLIERS: CPR100  
 INSERTION TOOL: RTR100

## RECEPTACLE

**R** **100** **WW** **429**  
 SERIES SIZE TERMINATION POST LENGTH

**SERIES:**  
**R:** HIGH PERFORMANCE  
**RX:** IMPROVED POINTING ACCURACY

**TERMINATIONS:**  
**CR:** CRIMP  
**SC:** SOLDER CUP  
**RP:** ROUND POST  
**WW:** WIRE WRAP

**POST LENGTH:**  
**WW:** 429, 694 or 1.044

VIEW UPDATES OF THIS INFORMATION AT [WWW.IDINET.COM](http://WWW.IDINET.COM)

Specifications subject to change without notice. Dimensions in inches (millimeters)