

# BSH15T

## Hydraulic Flange Spreader Wedge Single Kit

### Weights & Dimensions

- ✓ Tool Weight: 7.0 kg
- ✓ Safety Block: 0.38 kg
- ✓ Pair of Stepped Blocks: 1.05 kg
- Packaging Dimensions::
- ✓ 580 mm x 340 mm x 180 mm / BSH15TM
- ✓ 320 mm x 180 mm x 22 mm / BSH15T

### Kit Components

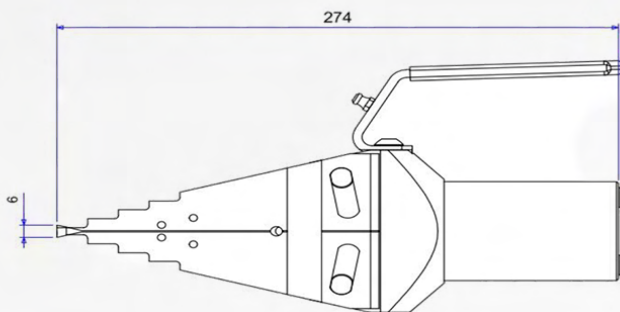
Product Code:	BSH15TM	BSH15T
Wedgehead	✓	✓
700 bar (10,000 psi) Hydraulic Cylinder	✓	✓
Safety Block	✓	✓
Pair of Stepped Blocks	✓	✓
Hex Key	✓	✓
Molding case	✓	
Carton Packaging		✓
Gross Weight	12.08 kg	8.95 kg

### Spreading Force

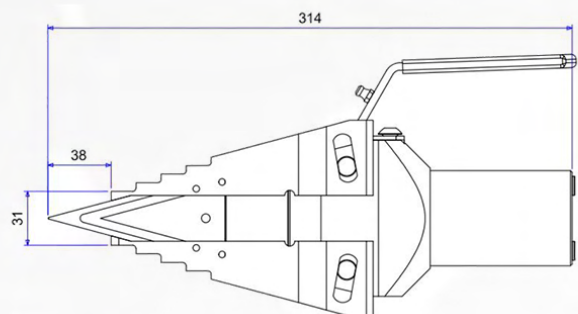
With 700 bar (10,000 psi) hydraulic pressure applied  
**15.5 Ton per tool**  
 It is recommended that tools are used in pair giving  
**2 x 15.5 Ton = 31 Ton**



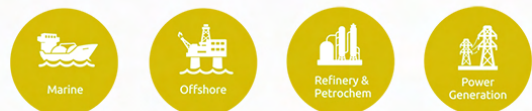
Tool Dimensions - Closed



Tool Dimensions - Open



Designed for different industries



SCAN ME



Tel: +65 6271 0800  
 Fax: +65 6273 3121  
[enquiries@petracarbon.com](mailto:enquiries@petracarbon.com)  
[www.petracarbon.com](http://www.petracarbon.com)



# BSH15T

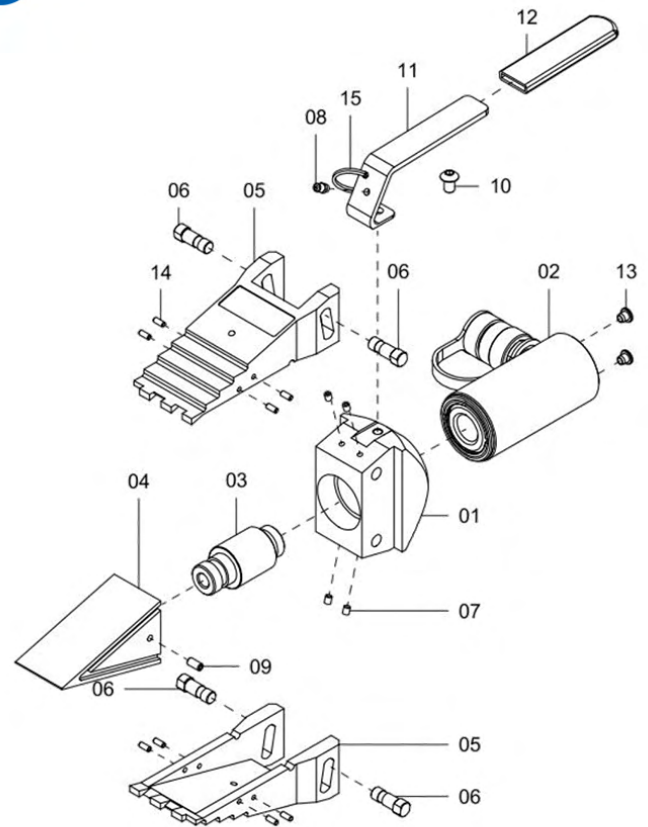
## Hydraulic Flange Spreader Wedge Single Kit

### Range of Application

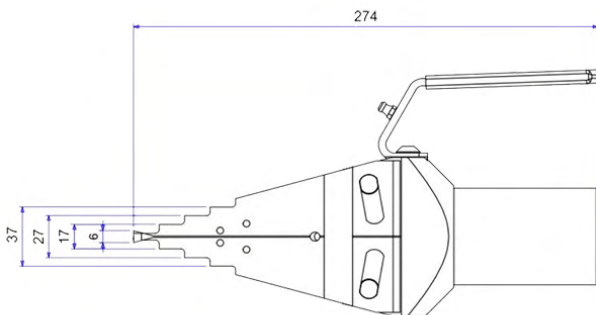
All flanges with a minimum access gap of 6 mm

Item No.	Part No.	Description	Quantity
1	C9311	Main Body	1
2	RC20IHU	Cylinder	1
3	E8702	Push Pin	1
4	C0411	Wedge	1
5	F2930	Forged Jaw	2
6	E7702	Slide Pin	4
7	H8400	Screw	4
8	H1730	Grease Fitting	1
9	H0730	Screw	1
10	H2730	Screw	1
11	C3451	Handle	1
12	G1560	Handle Sleeve	1
13	G4560	White Plastic Cap	2
14	I9010	Roll Pin	8
15	M2010	Split Ring	1

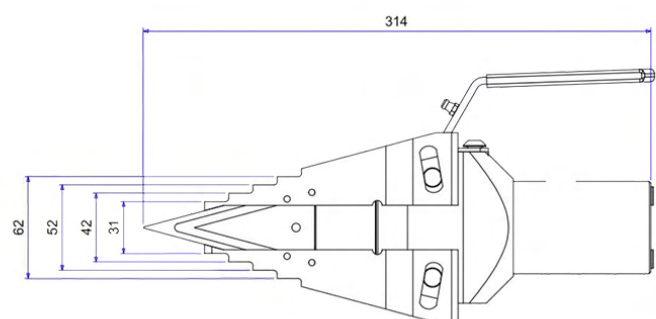
\*Items 6, 7, 9, 10 & 11 are supplied in Service Kit A



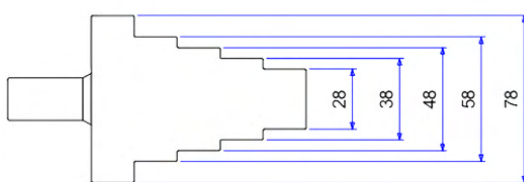
Tool Dimensions - Closed



Tool Dimensions - Open

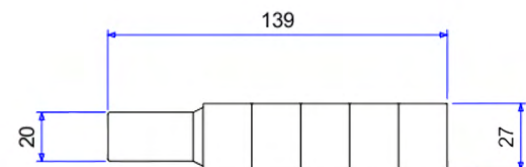


Safety Block (Part No. B1095) Dimensions

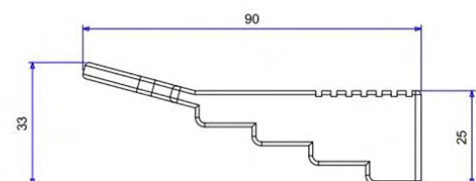


### Stepped Blocks Part No. SBM62

Stepped Blocks can be used individually or in pairs to increase the max. spreading distance of the BSH15T to 81 mm



Weights and Dimensions  
Stepped Block 0.52 kg



SCAN ME

