

BPD SERIES

Digitorqon™ Multiplier + Torque Wrench

Features

- No power tools allowed on the job
- Need precise torque management
- Need to monitor exact torque level in real time
- Using a heavy torque wrench is stressful
- Cannot access a continued space with large torque wrench.
- Issues with operating large torque wrenches at heights

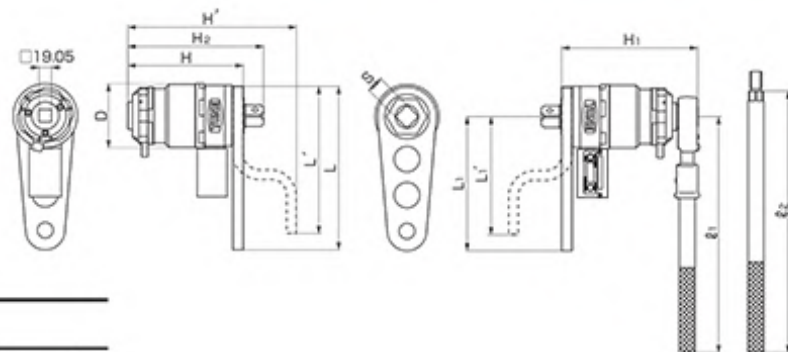
Digitorqon™ PD Series solves all of the above!

Specifications

Reading Range	1000-3000 N.m
Accuracy	±4%
Reading Direction	Clockwise
Increment	4N.m
Weight*	9.7kg
Battery	AA Alkaline x 4
Battery Life	Approx. 1500 cycles without continuing use
Operating Temperature	0-40° Celsius relative humidity below 80% (no condensation allowed)

*Weight includes wrench body, straight-type reaction plate and ratchet handle

Dimensions (mm)											
D	H	H'	S	L	L'	L1	L1'	H1	H2	ℓ ₁	ℓ ₂
98	176	245	25.4	250	230	205	185	208	207	470	400



Outputs high torque with less manual force. Reduces labor cost and operator fatigue. No impact noise or even vibration.



Digitorqon™ indicates the actual torque applied on the bolt/nut. Up to 3000N.m of torque reading with +/- 4% of reading accuracy. (Includes calibration certificate and traceability diagram)



Any 1" square drive impact sockets can be used.

SCAN ME



BPD SERIES

Digotorqon™ Multiplier + Torque Wrench



Red LED for better readability outdoors and at night.



Swivel LED display for easy monitoring.



Combined of anti-wind-up clutch and ratchet handle improves workability and protects operator from spring back force of the gears.



Lifting device promotes safer work at heights.



Straight and offset-type reaction plates are included as standard accessories. Custom made reaction plates are also available.



Reaction plates must be placed parallel to protect display from damage.

Standard Accessories

- 1 x Straight reaction plate
- 1 x Offset reaction plate
- 1 x Ratchet handle
- 1 x Extension Pipe
- 1 x Hex key wrench
- 1 x (+) Screw driver
- 4 x HSH set screw
- 1 x Lifting device
- 4 x AA Alkaline battery (factory installed)
- 1 x Case
- 1 x Instruction manual
- 1 x Calibration certificate with traceability diagram

SCAN ME



Tel: +65 6271 0800
Fax: +65 6273 3121
enquiries@petracarbon.com
www.petracarbon.com



bizSAFE₃